

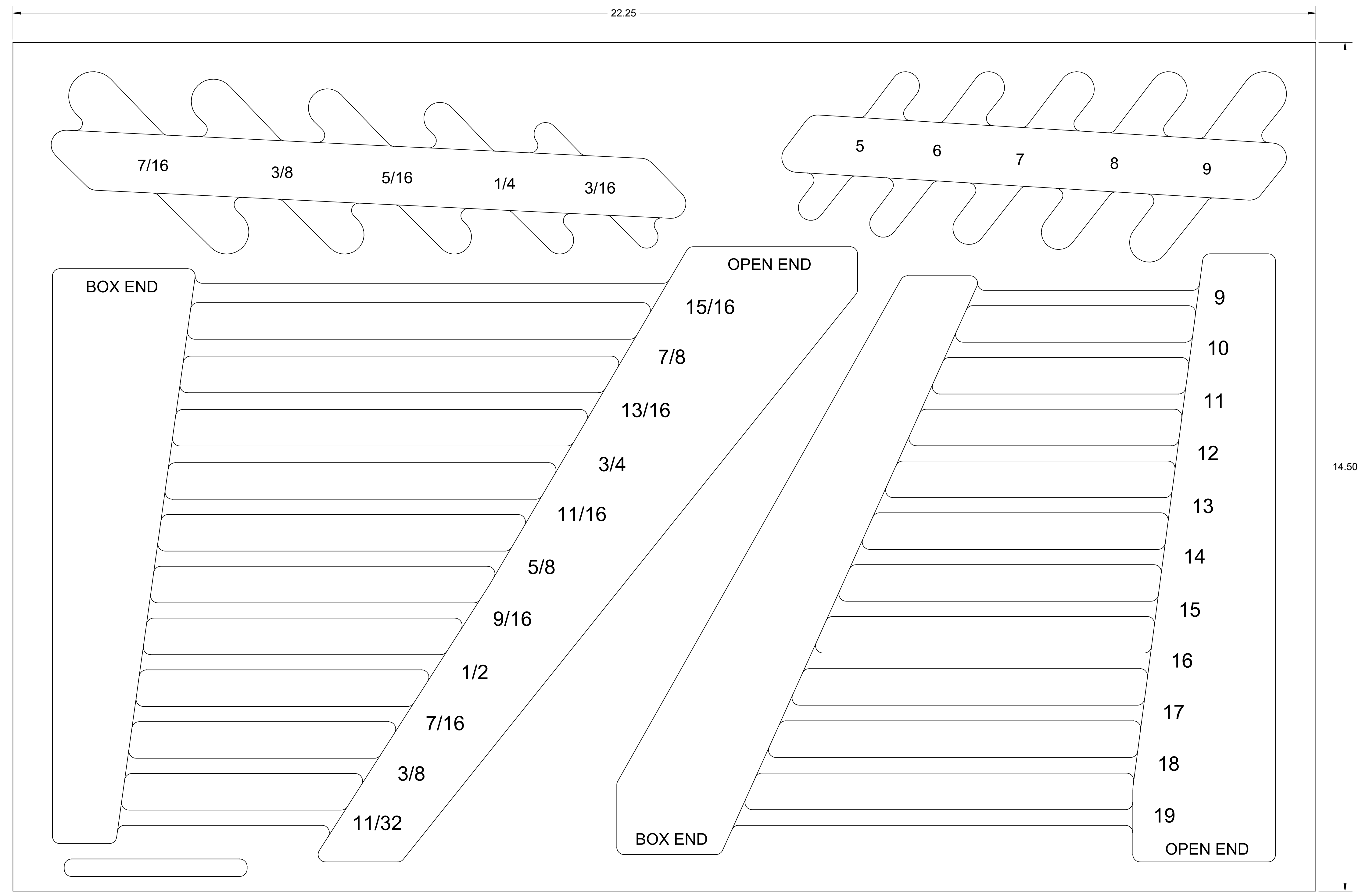
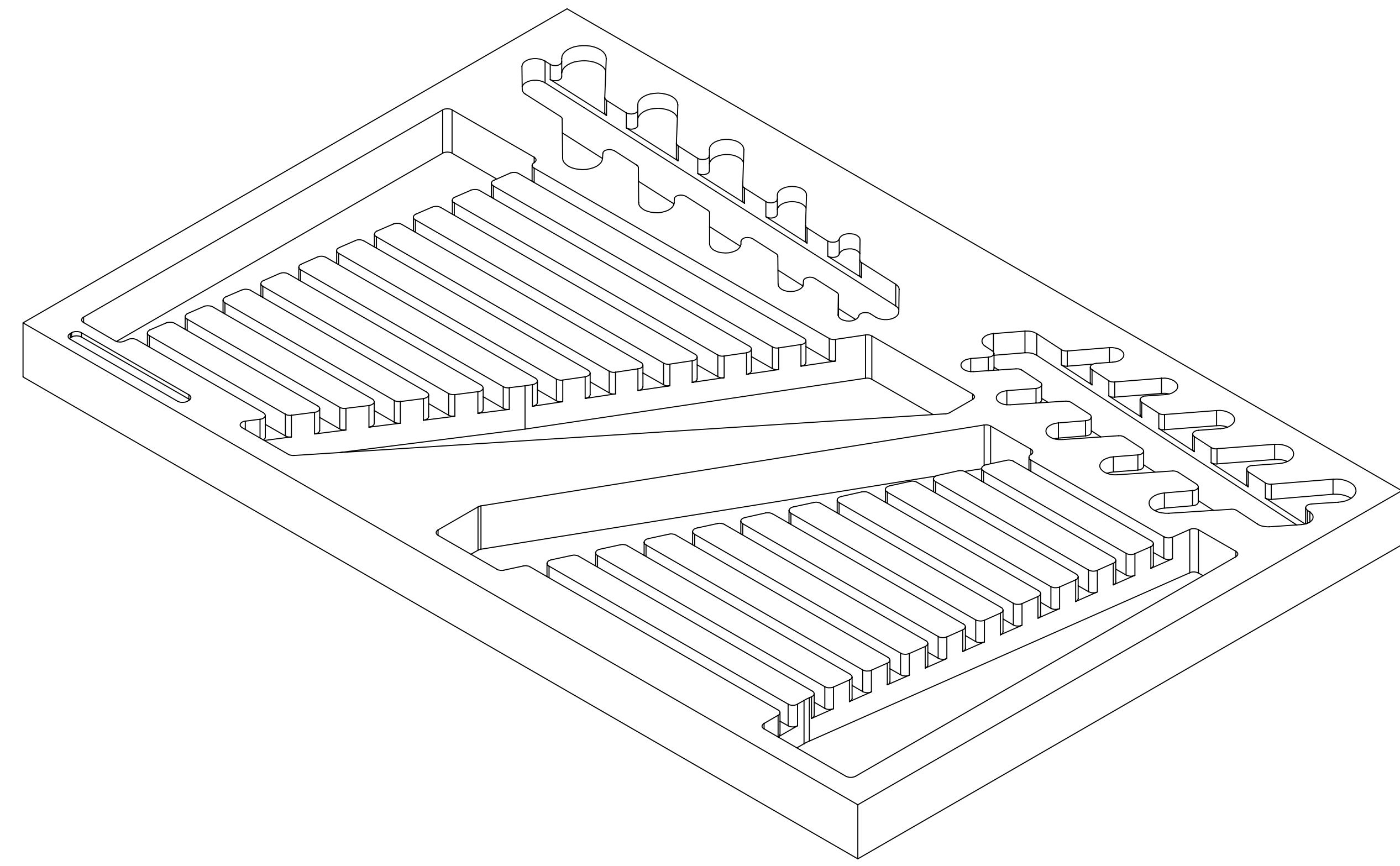
PRINTING INSTRUCTIONS

We recommend printing at full-scale to check the fit with your tools before ordering.

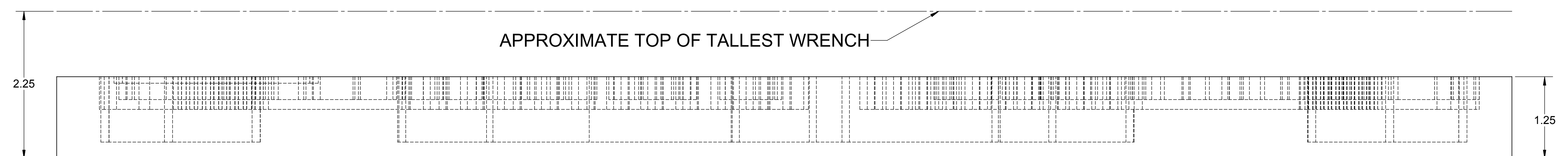
Option 1: Print this page full-scale on a large-format printer (E-Size, 44 inches X 34 inches).

Option 2: Print page 2 - 9 on 8-1/2 X 11 inch paper and assemble.

Thank You!



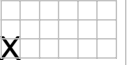
**CAUTION
RECOMMENDED FOR A
3-INCH DRAWER HEIGHT**



PART NUMBER **F1A-01555**

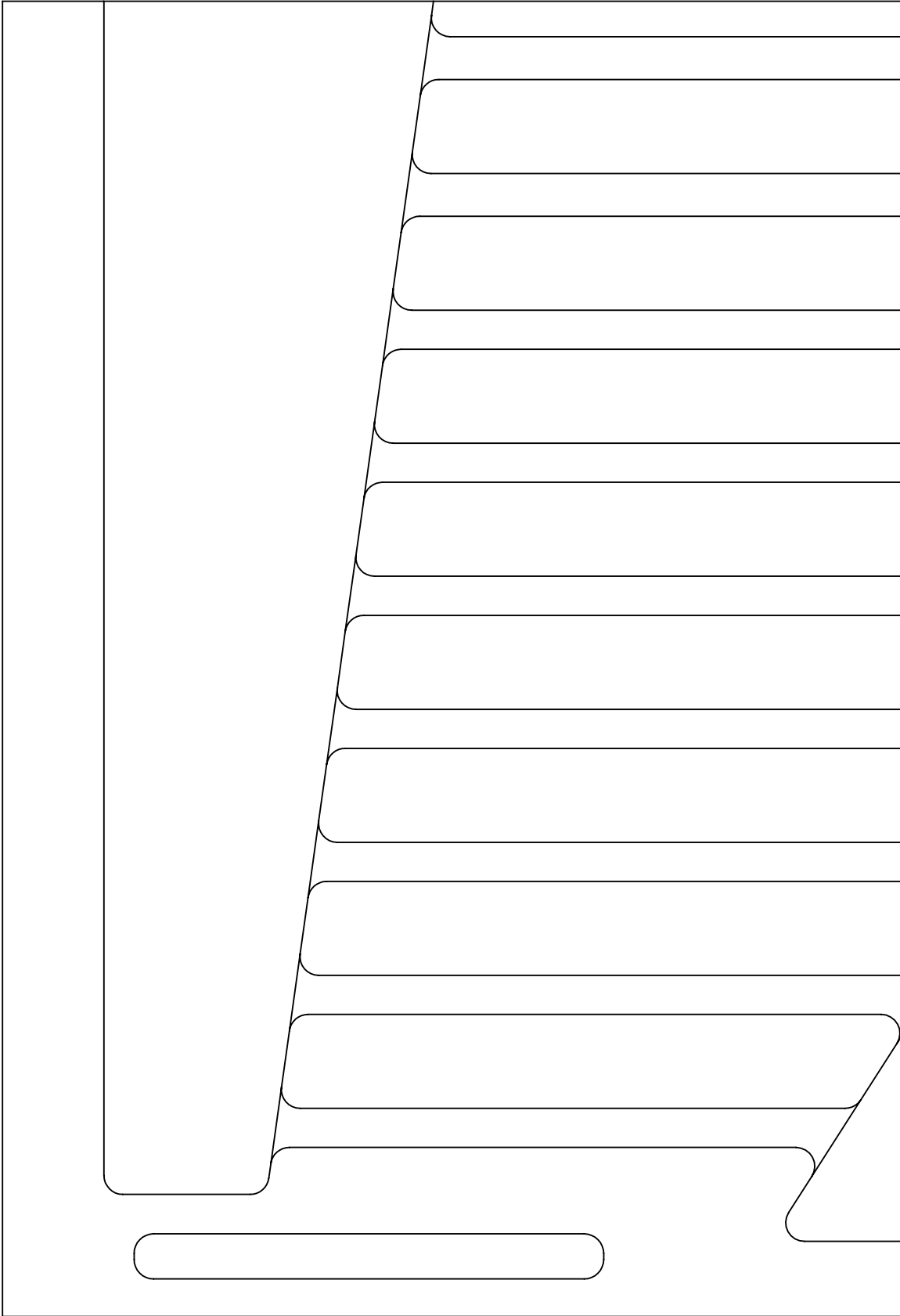
1.00 IN

PAGE KEY



1.00 IN

Print on Letter at 100%



DATE CREATED

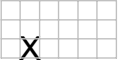
11 AUG 2016

PART NUMBER

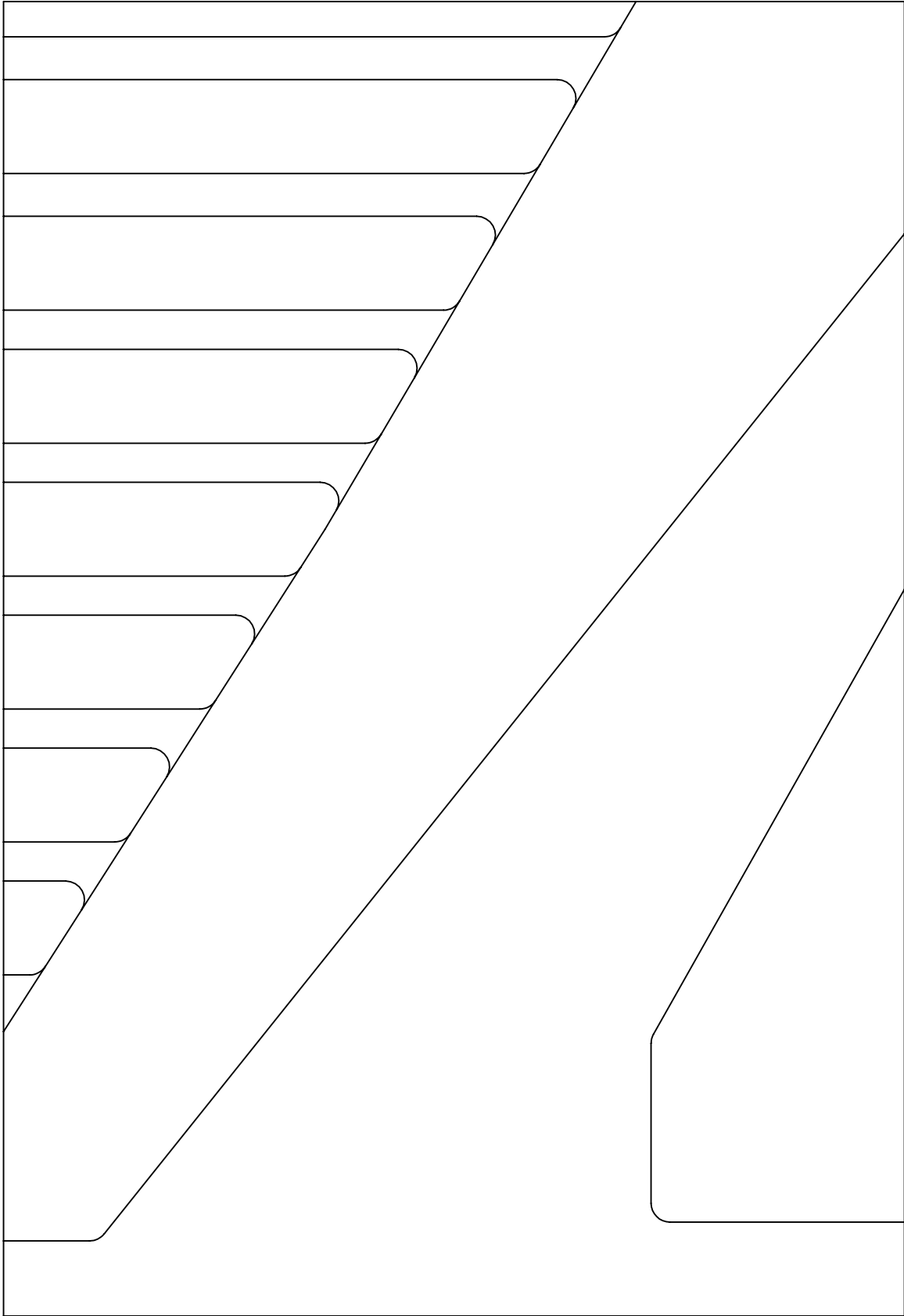
F1A-01555

← 1.00 IN →

PAGE KEY



1.00
IN



Print on Letter at 100%

DATE CREATED

11 AUG 2016

PART NUMBER

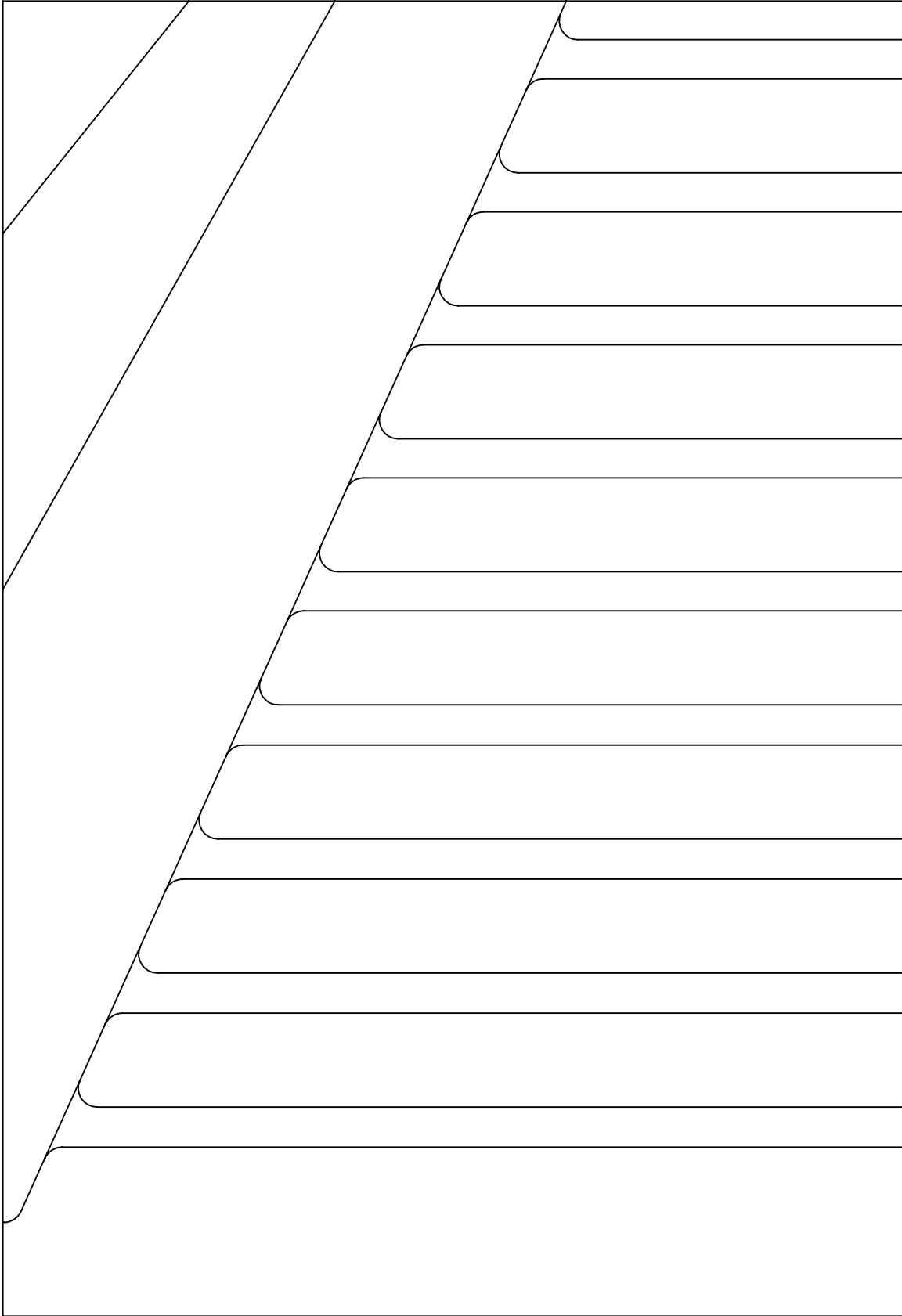
F1A-01555

← 1.00 IN →

PAGE KEY



↑ 1.00 IN ↓



Print on Letter at 100%

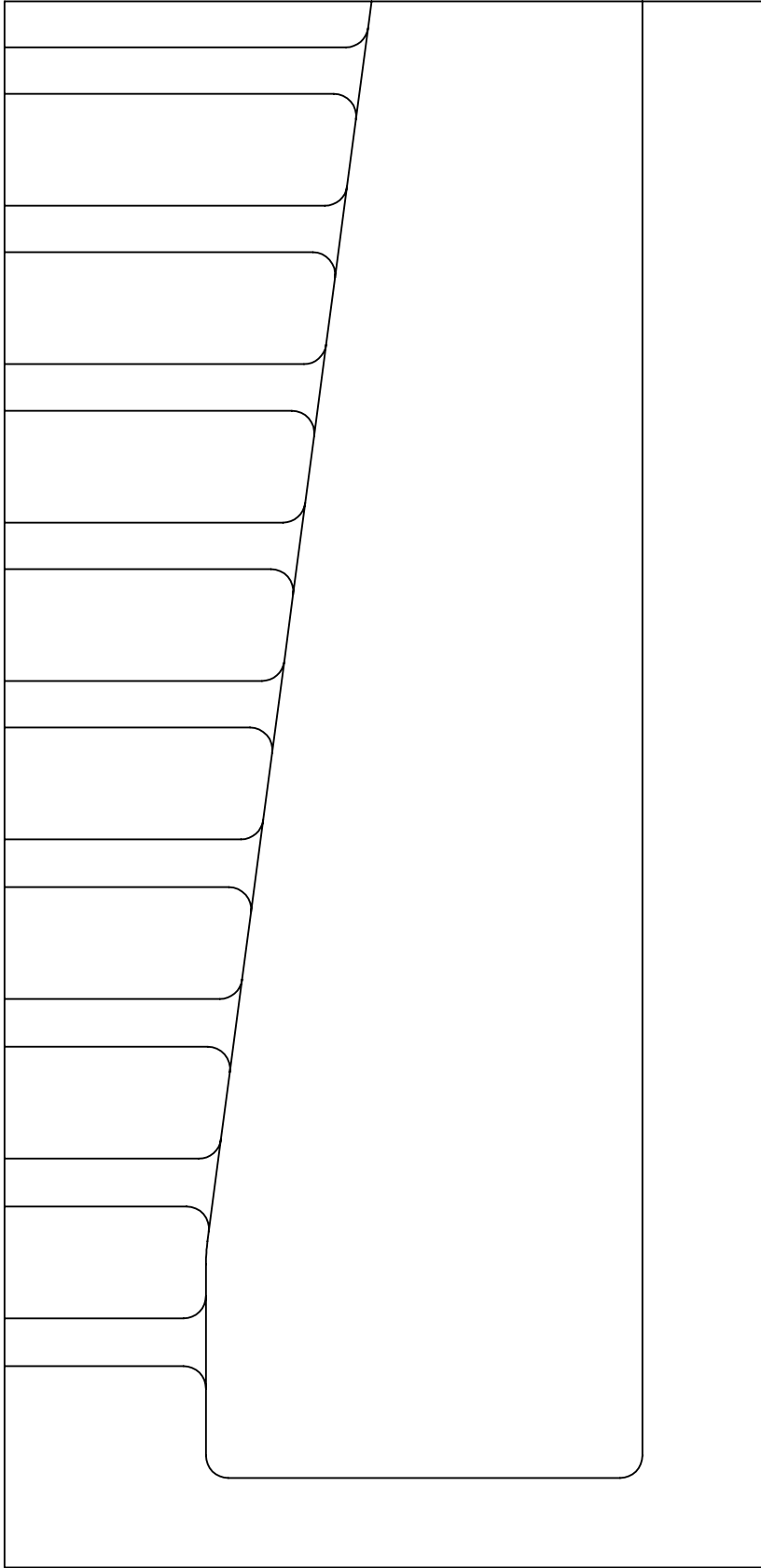
DATE CREATED

11 AUG 2016

PART NUMBER

F1A-01555

Print on Letter at 100%



PAGE KEY



DATE CREATED

11 AUG 2016

PART NUMBER

F1A-01555

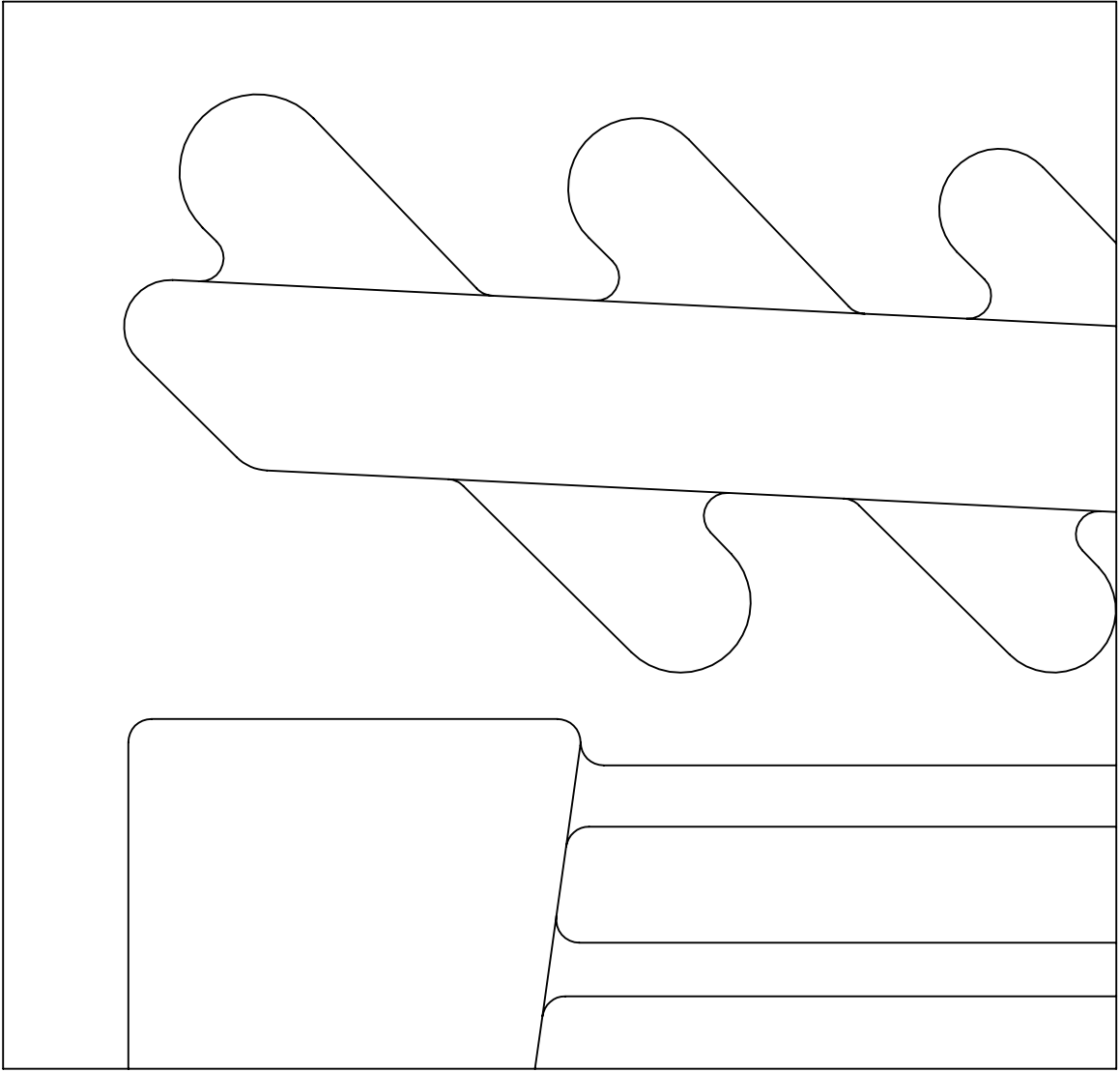
1.00 IN

PAGE KEY

| | | | | | | | | | |
|---|--|--|--|--|--|--|--|--|--|
| X | | | | | | | | | |
|---|--|--|--|--|--|--|--|--|--|

1.00 IN

Print on Letter at 100%



DATE CREATED

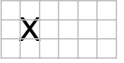
11 AUG 2016

PART NUMBER

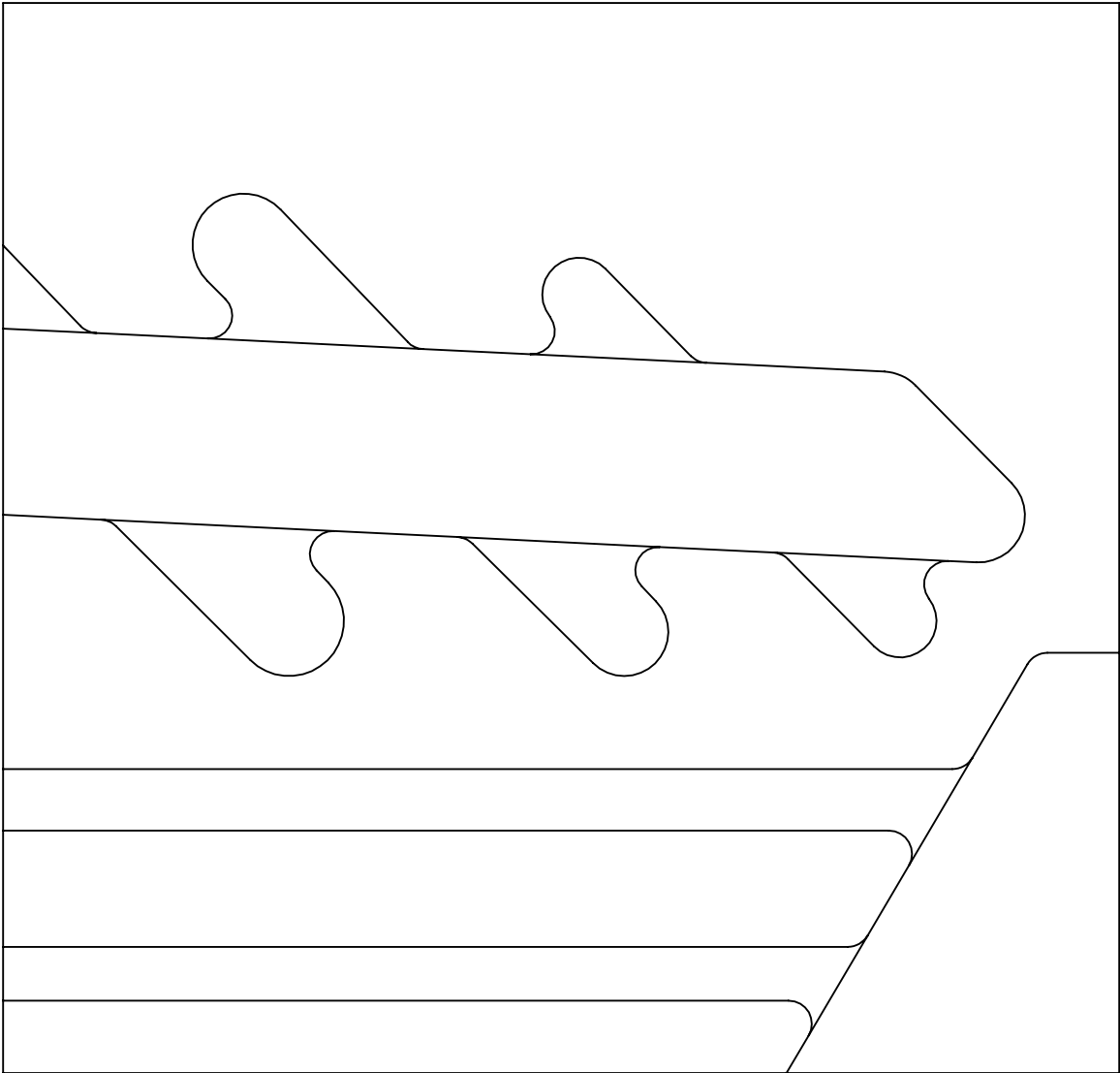
F1A-01555

1.00 IN

PAGE KEY



1.00
IN



Print on Letter at 100%

DATE CREATED

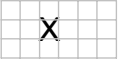
11 AUG 2016

PART NUMBER

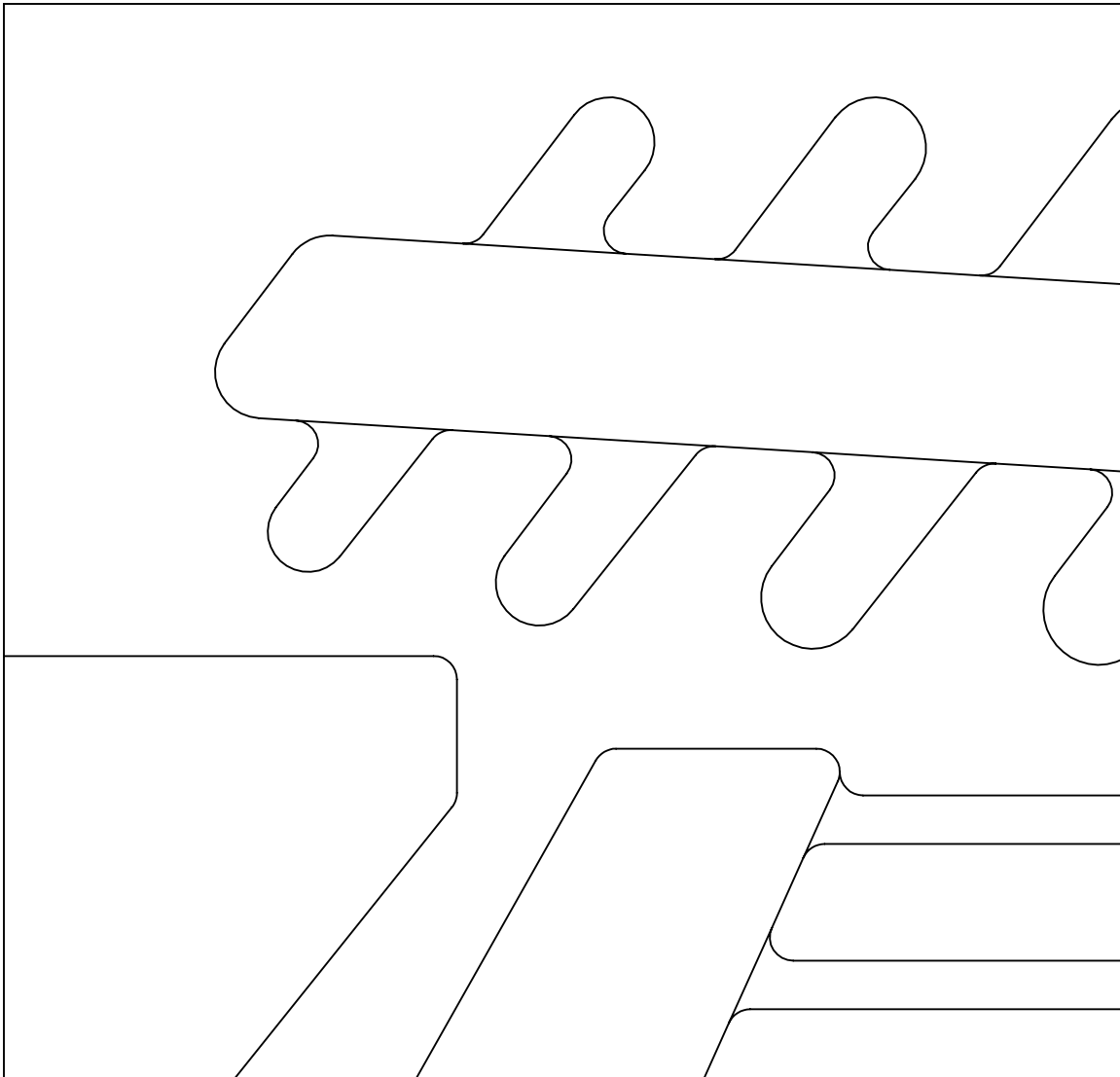
F1A-01555

1.00 IN

PAGE KEY



1.00
IN



Print on Letter at 100%

DATE CREATED

11 AUG 2016

PART NUMBER

F1A-01555

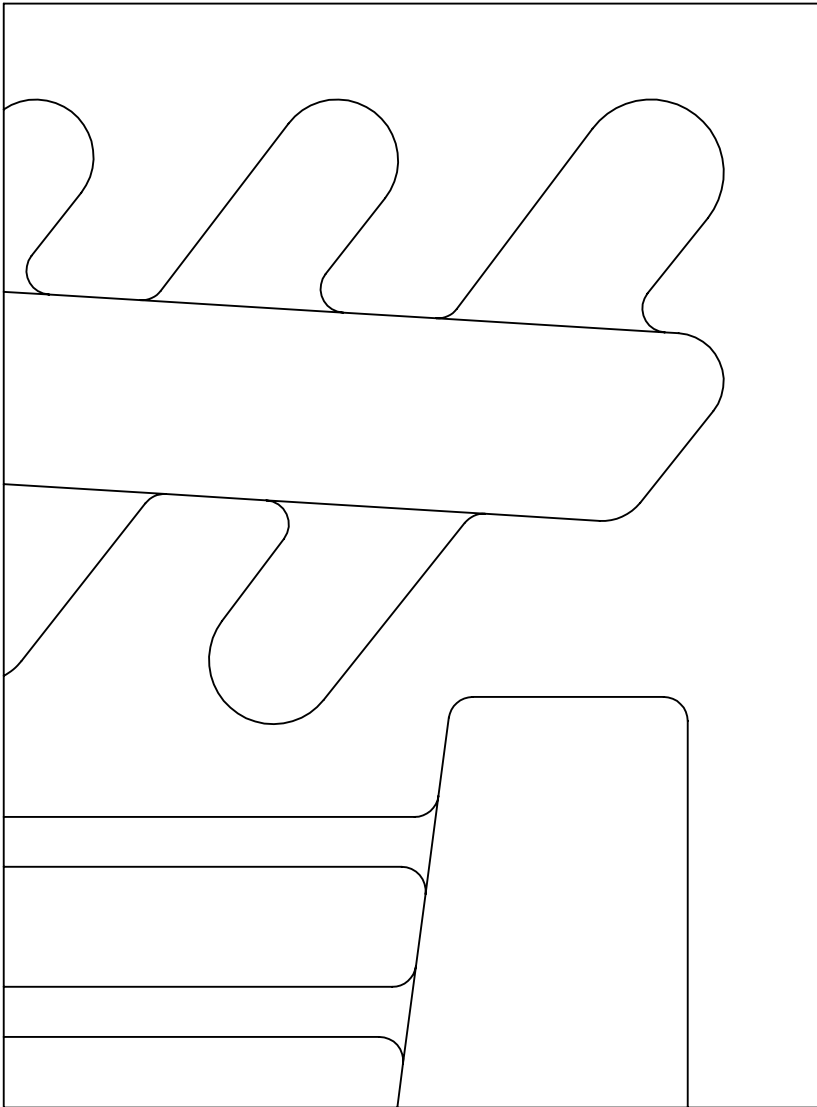
← 1.00 IN →

PAGE KEY



↑
1.00
IN
↓

Print on Letter at 100%



DATE CREATED

11 AUG 2016

PART NUMBER

F1A-01555