

PRINTING INSTRUCTIONS

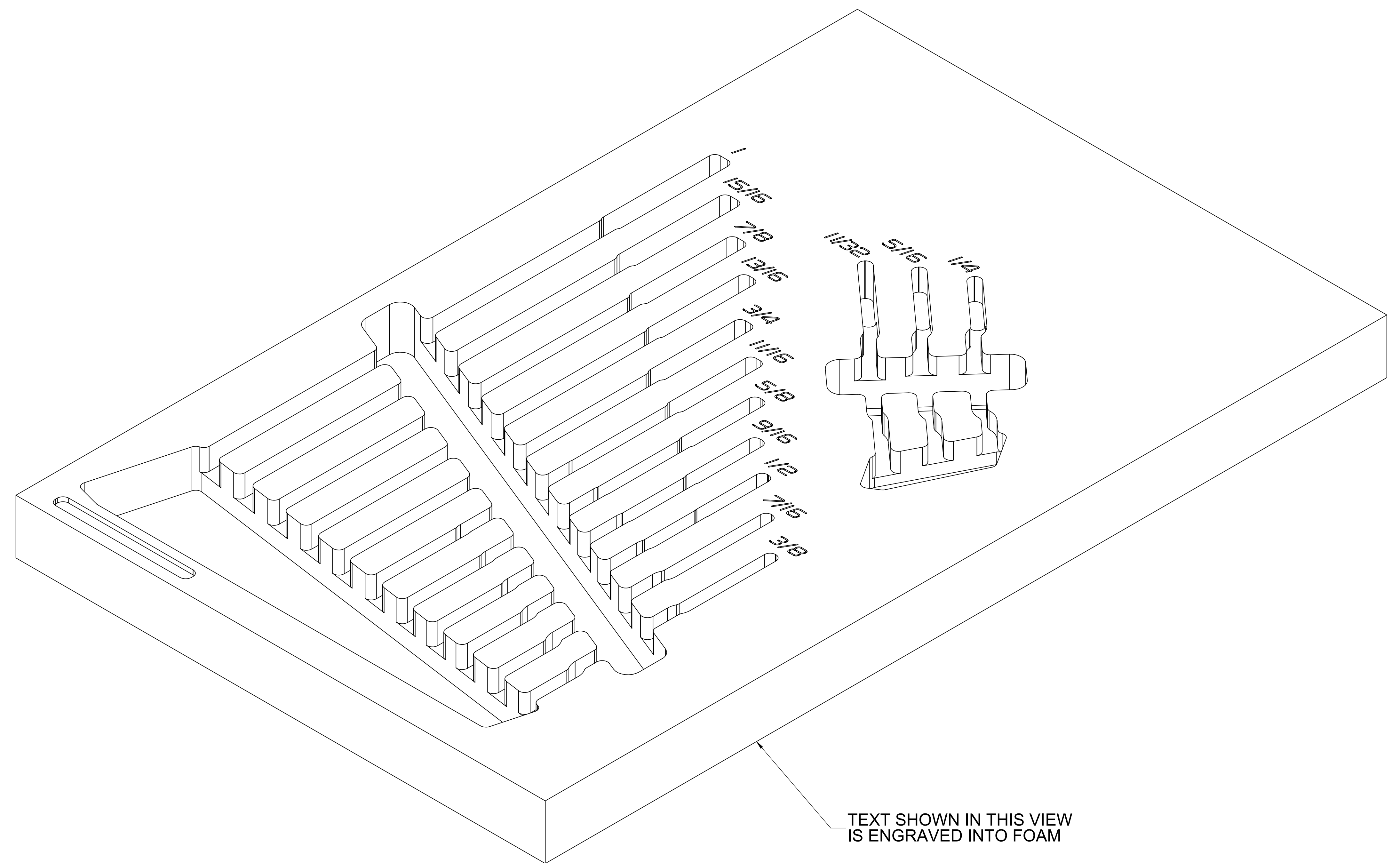
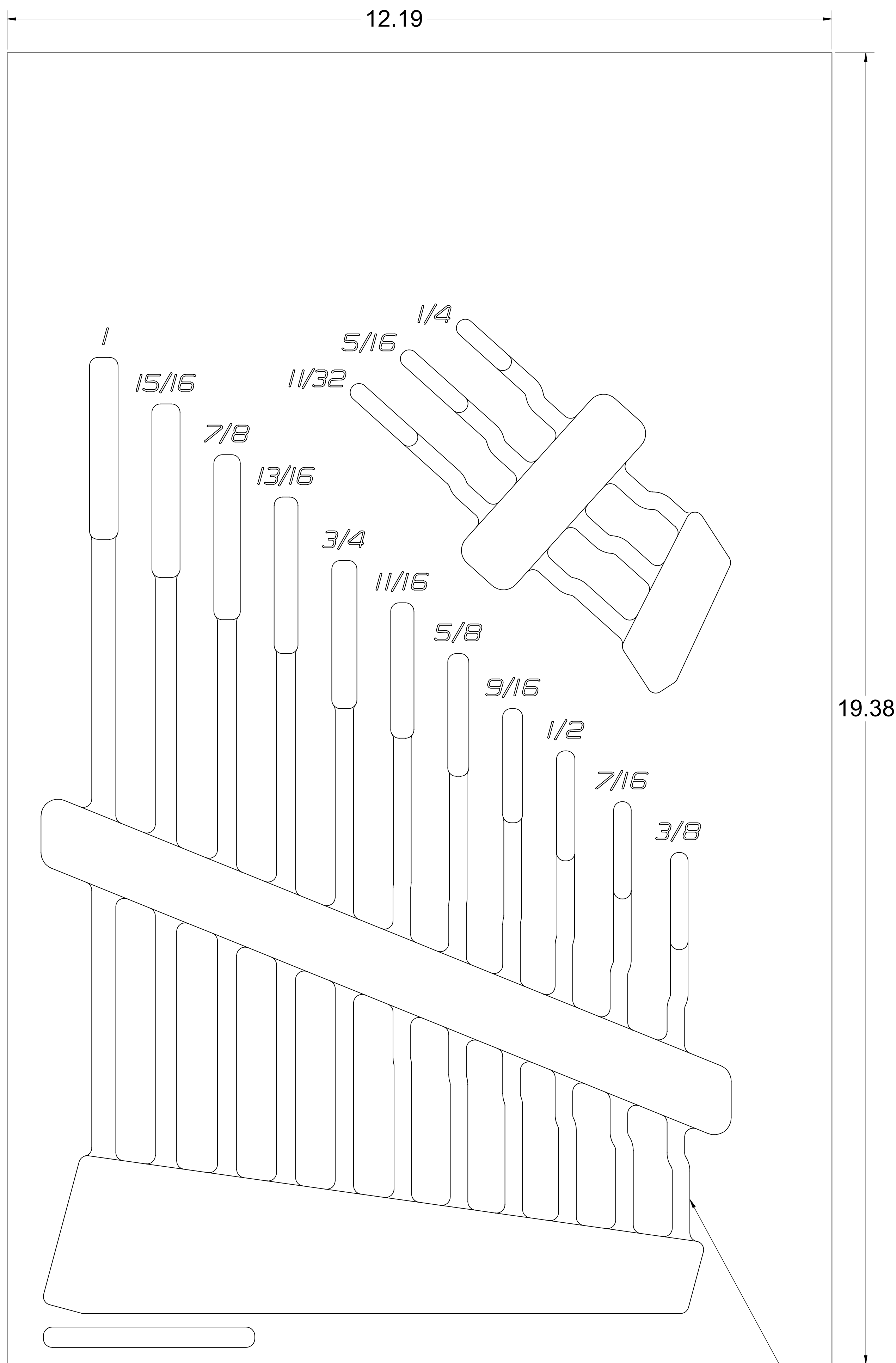
We recommend printing at full-scale to check the fit with your tools before ordering.

Option 1: Print this page full-scale on a large-format printer (E-Size, 44 inches X 34 inches).

Option 2: Print page 2 - 10 on 8-1/2 X 11 inch paper and assemble.

Thank You!

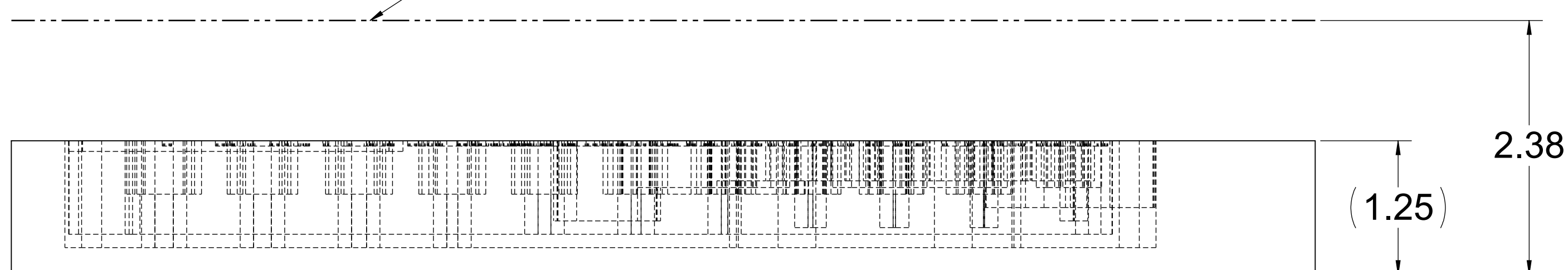
THE INFORMATION CONTAINED ON THIS DRAWING IS THE SOLE PROPERTY OF FOAMFIT TOOLS AND MAY NOT BE USED WITHOUT PERMISSION. Copyright 2024 FoamFit Tools



TEXT SHOWN IN THIS VIEW IS ENGRAVED INTO FOAM

SAE COMBINATION WRENCHES

APPROXIMATE HEIGHT OF TALLEST WRENCH



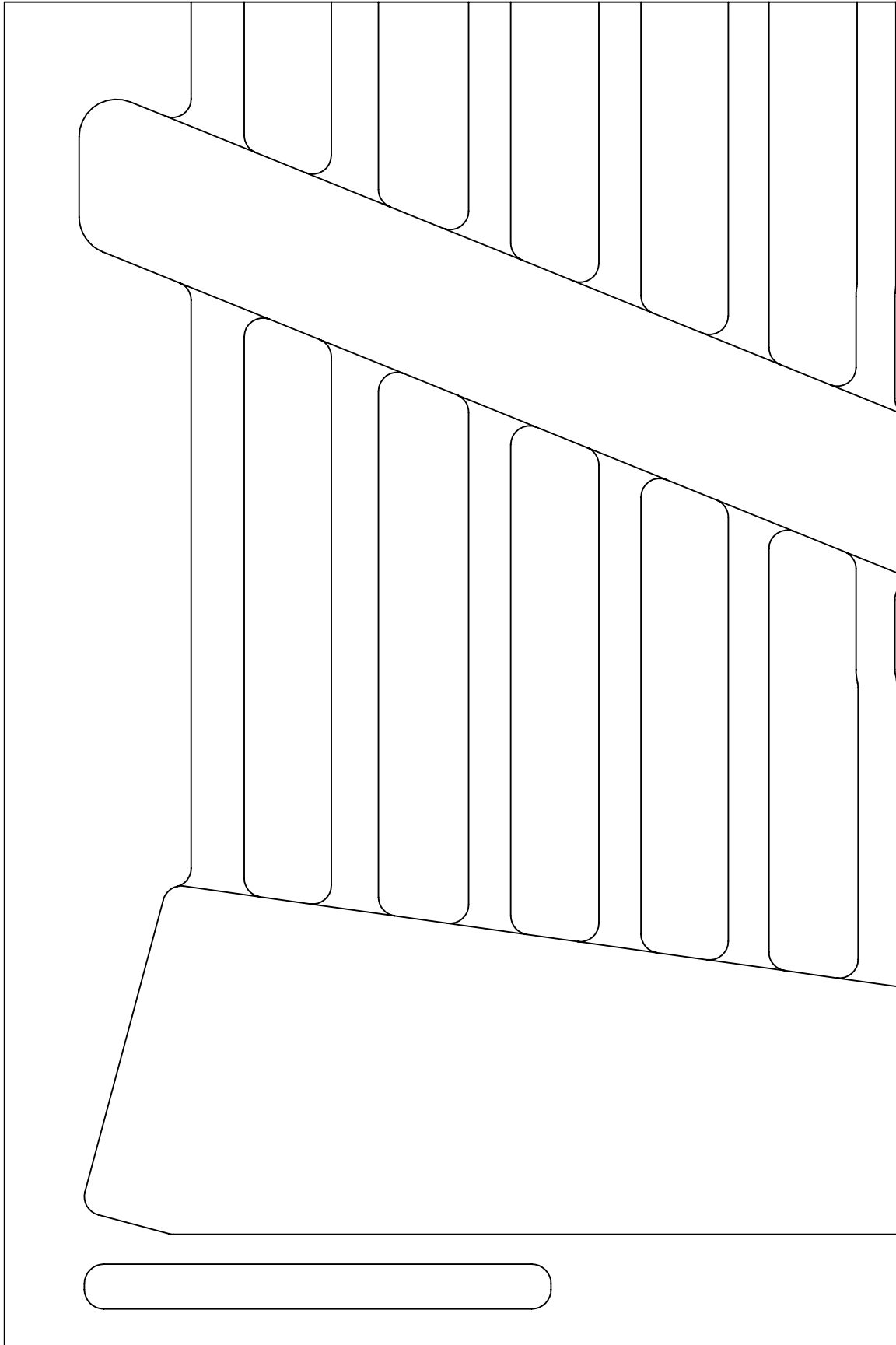
CAUTION
SUGGESTED DRAWER HEIGHT
2.63 MIN

PART NUMBER
L-05859-T

Print on Letter at 100%

← 1.00 IN →

↑ 1.00 IN ↓



PAGE KEY

X									

DATE CREATED

14 NOV 2024

PART NUMBER

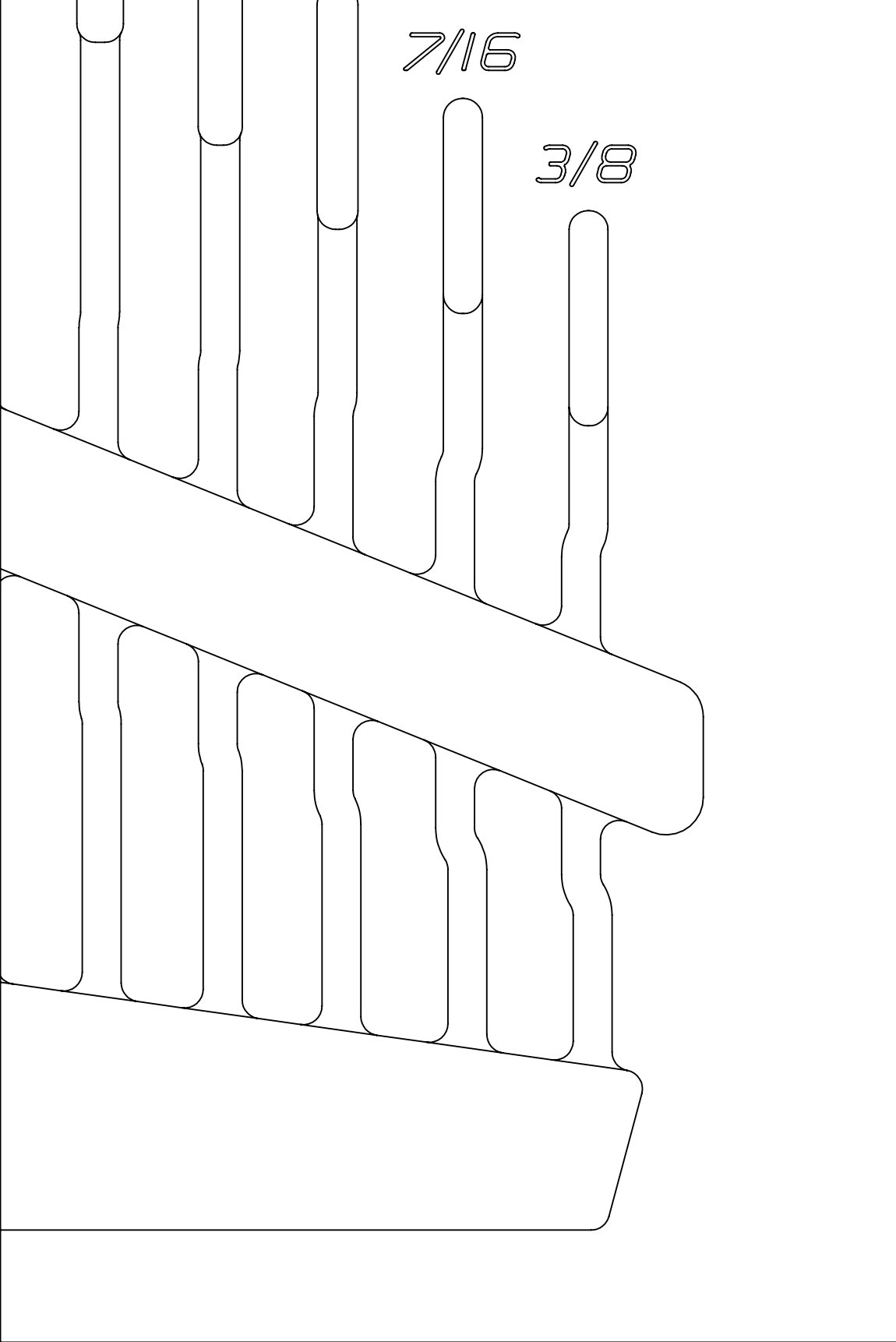
L-05859-T

← 1.00 IN →

↑ 1.00 IN ↓

PAGE KEY

X					



Print on Letter at 100%

DATE CREATED

14 NOV 2024

PART NUMBER

L-05859-T

1.00 IN

PAGE KEY



1.00
IN

Print on Letter at 100%



DATE CREATED

14 NOV 2024

PART NUMBER

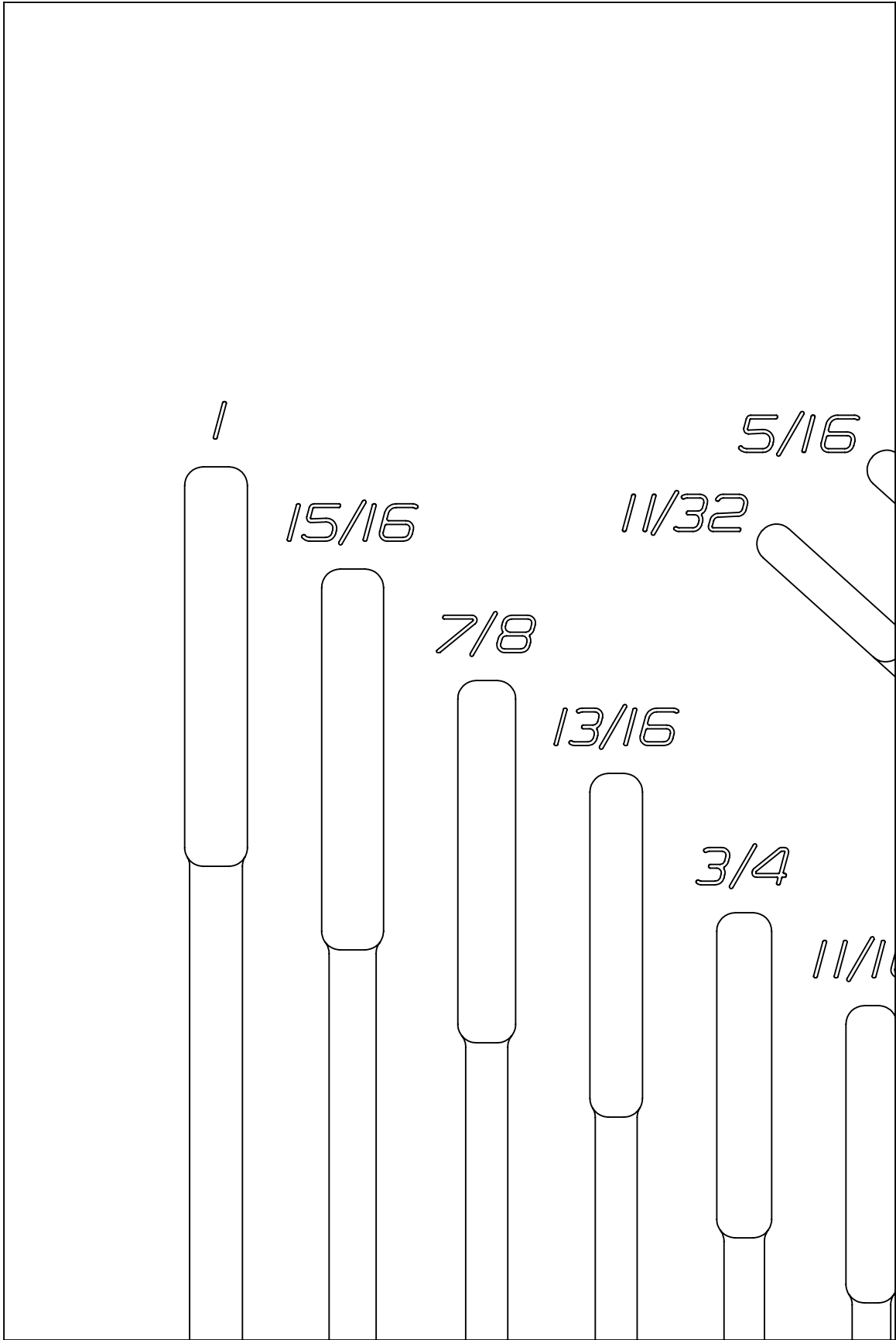
L-05859-T

← 1.00 IN →

PAGE KEY

X									
---	--	--	--	--	--	--	--	--	--

↑ 1.00 IN ↓



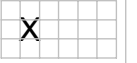
Print on Letter at 100%

DATE CREATED
14 NOV 2024

PART NUMBER
L-05859-T

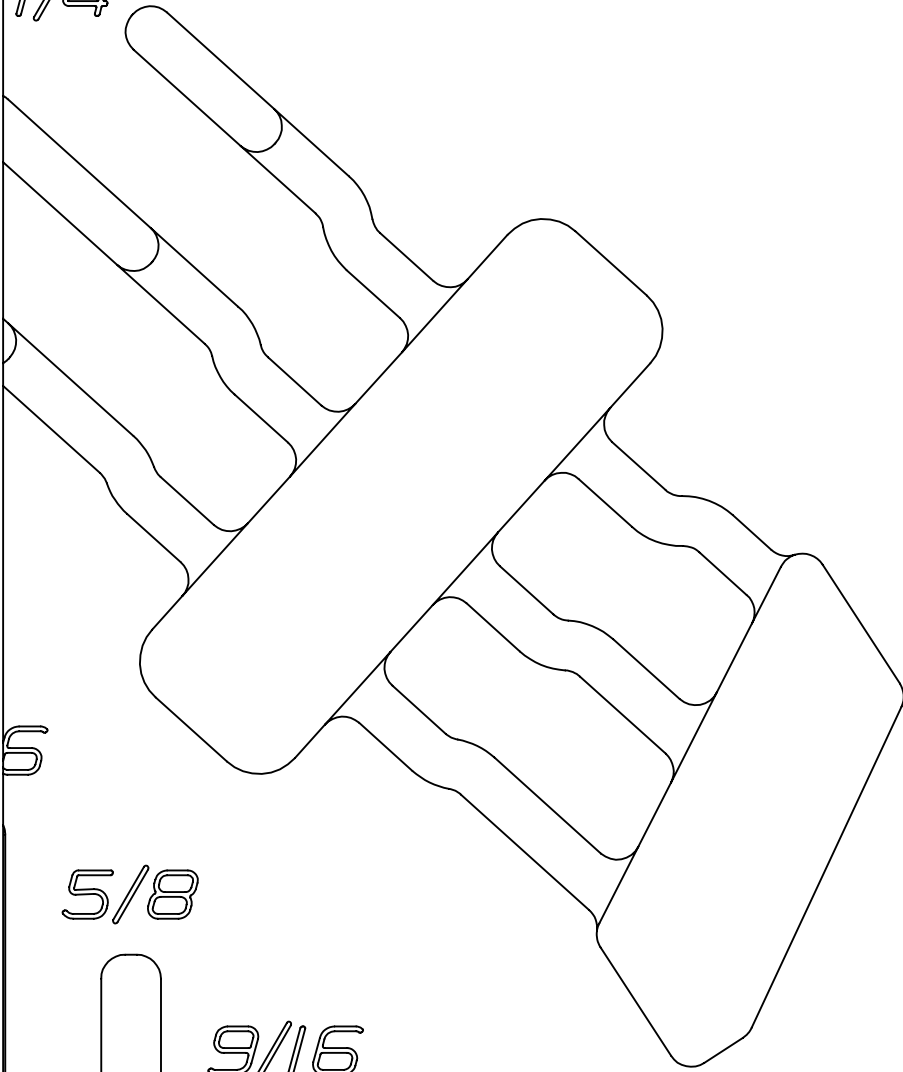
1.00 IN

PAGE KEY



1.00 IN

1/4



5

5/8

9/16

1/2

Print on Letter at 100%

DATE CREATED

14 NOV 2024

PART NUMBER

L-05859-T

Print on Letter at 100%

1.00
IN

1.00 IN



PAGE KEY

X

DATE CREATED

14 NOV 2024

PART NUMBER

L-05859-T

1.00 IN

PAGE KEY

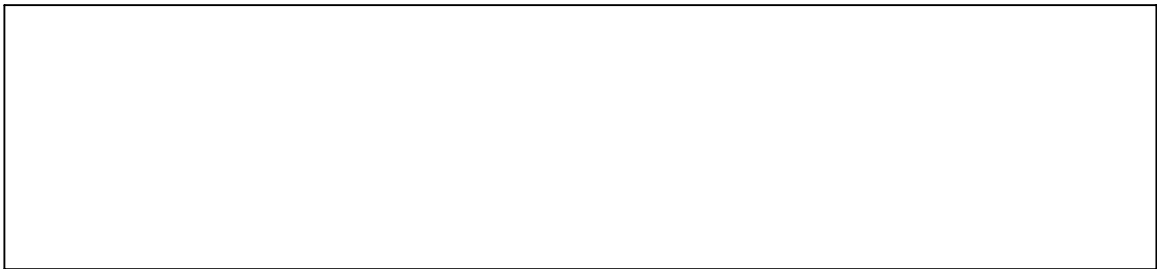
X									

1.00 IN

DATE CREATED
14 NOV 2024

PART NUMBER
L-05859-T

Print on Letter at 100%



1.00 IN

PAGE KEY

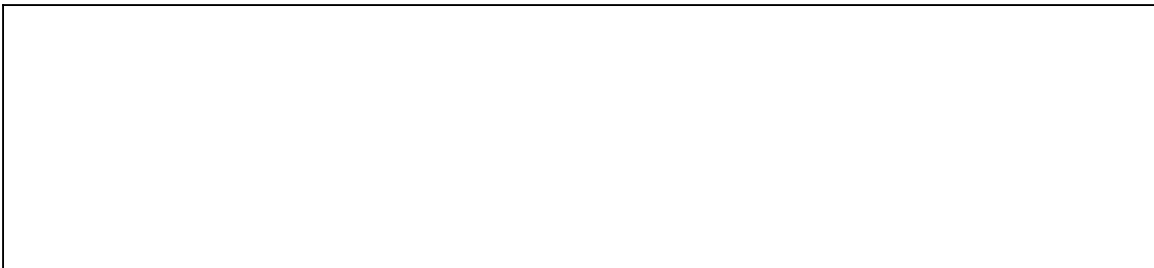
X									

1.00
IN

DATE CREATED
14 NOV 2024

PART NUMBER
L-05859-T

Print on Letter at 100%



← 1.00 IN →

PAGE KEY

X									

↑
1.00
IN
↓

Print on Letter at 100%



DATE CREATED

14 NOV 2024

PART NUMBER

L-05859-T