

PRINTING INSTRUCTIONS

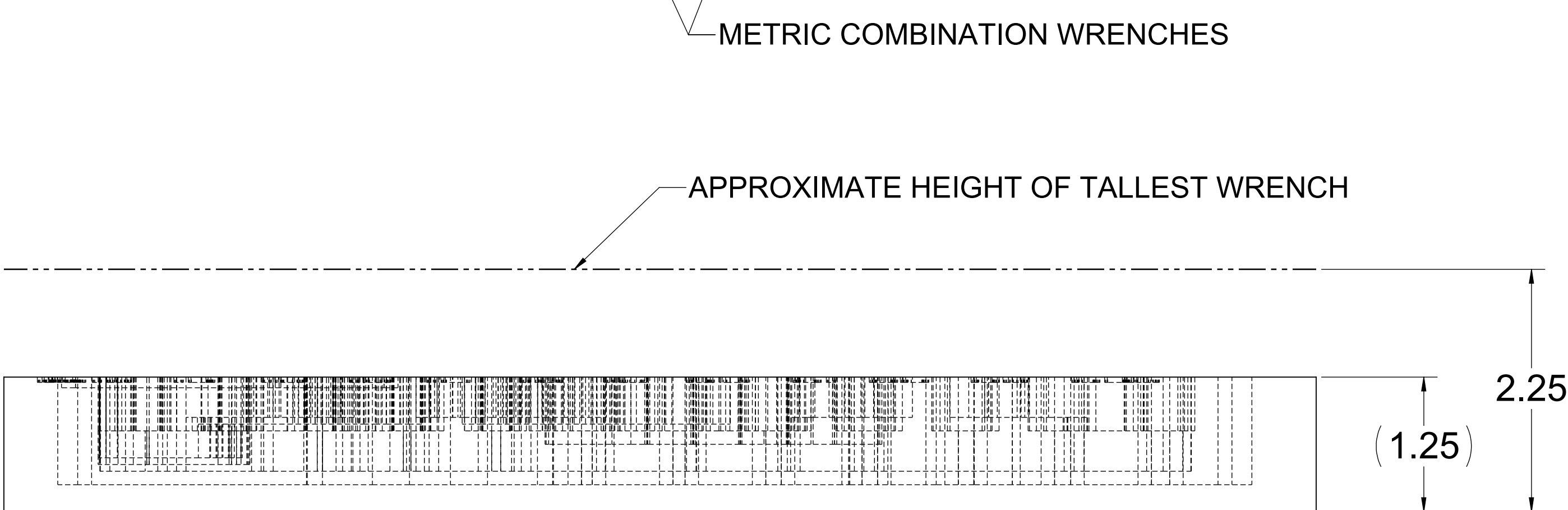
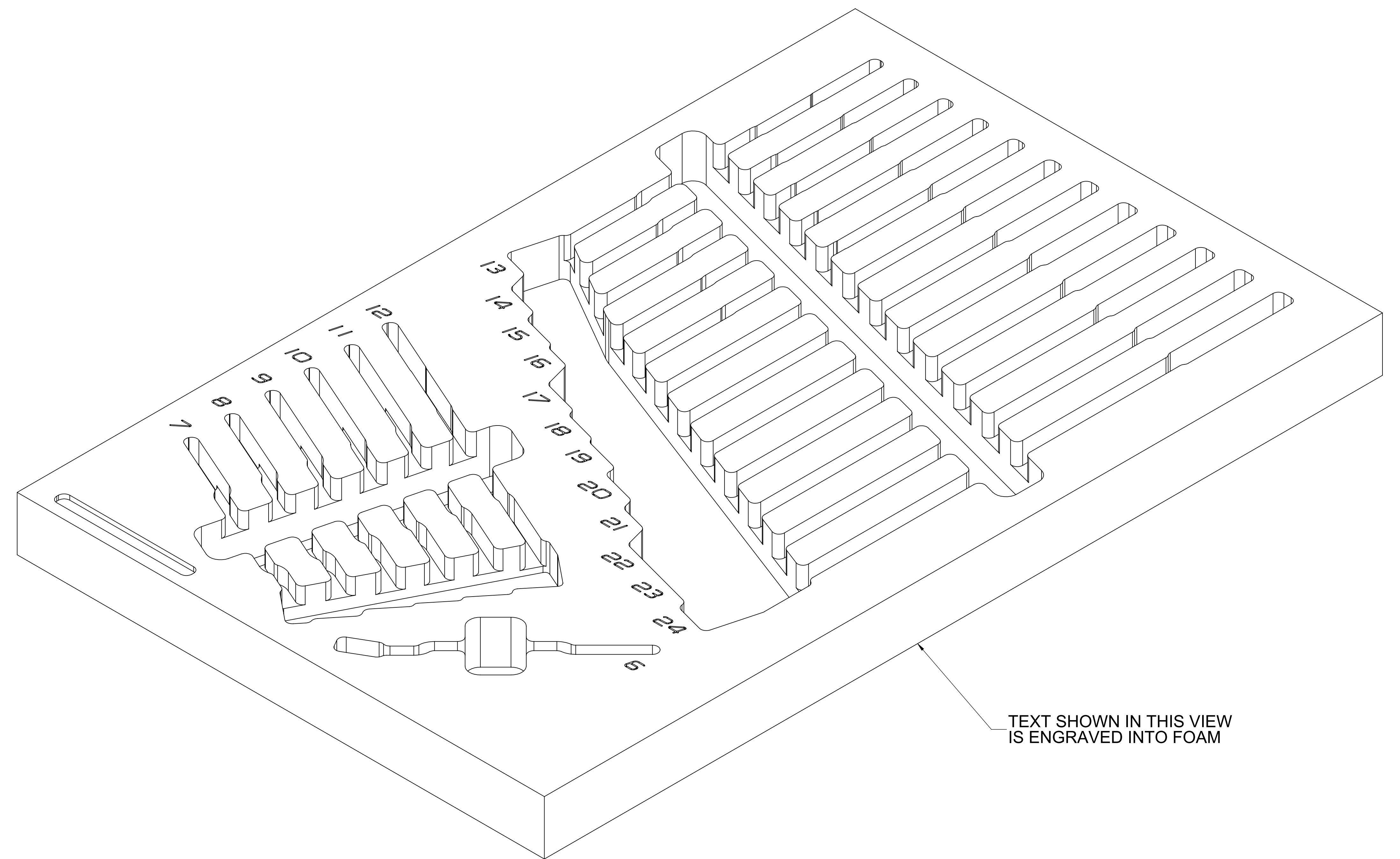
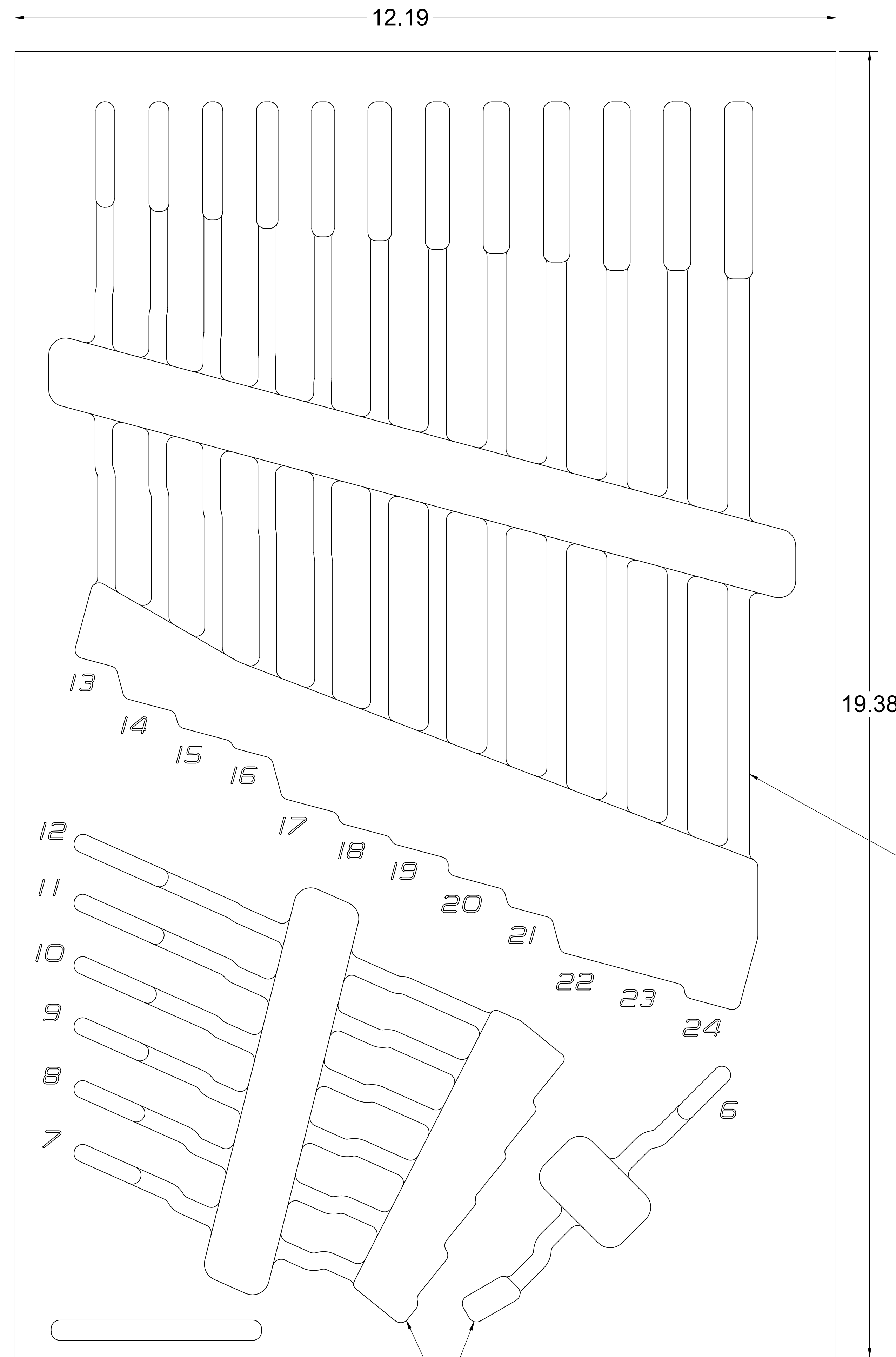
We recommend printing at full-scale to check the fit with your tools before ordering.

Option 1: Print this page full-scale on a large-format printer (E-Size, 44 inches X 34 inches).

Option 2: Print page 2 - 10 on 8-1/2 X 11 inch paper and assemble.

Thank You!

THE INFORMATION CONTAINED ON THIS DRAWING IS THE SOLE PROPERTY OF FOAMFIT TOOLS AND MAY NOT BE USED WITHOUT PERMISSION. Copyright 2024 FoamFit Tools



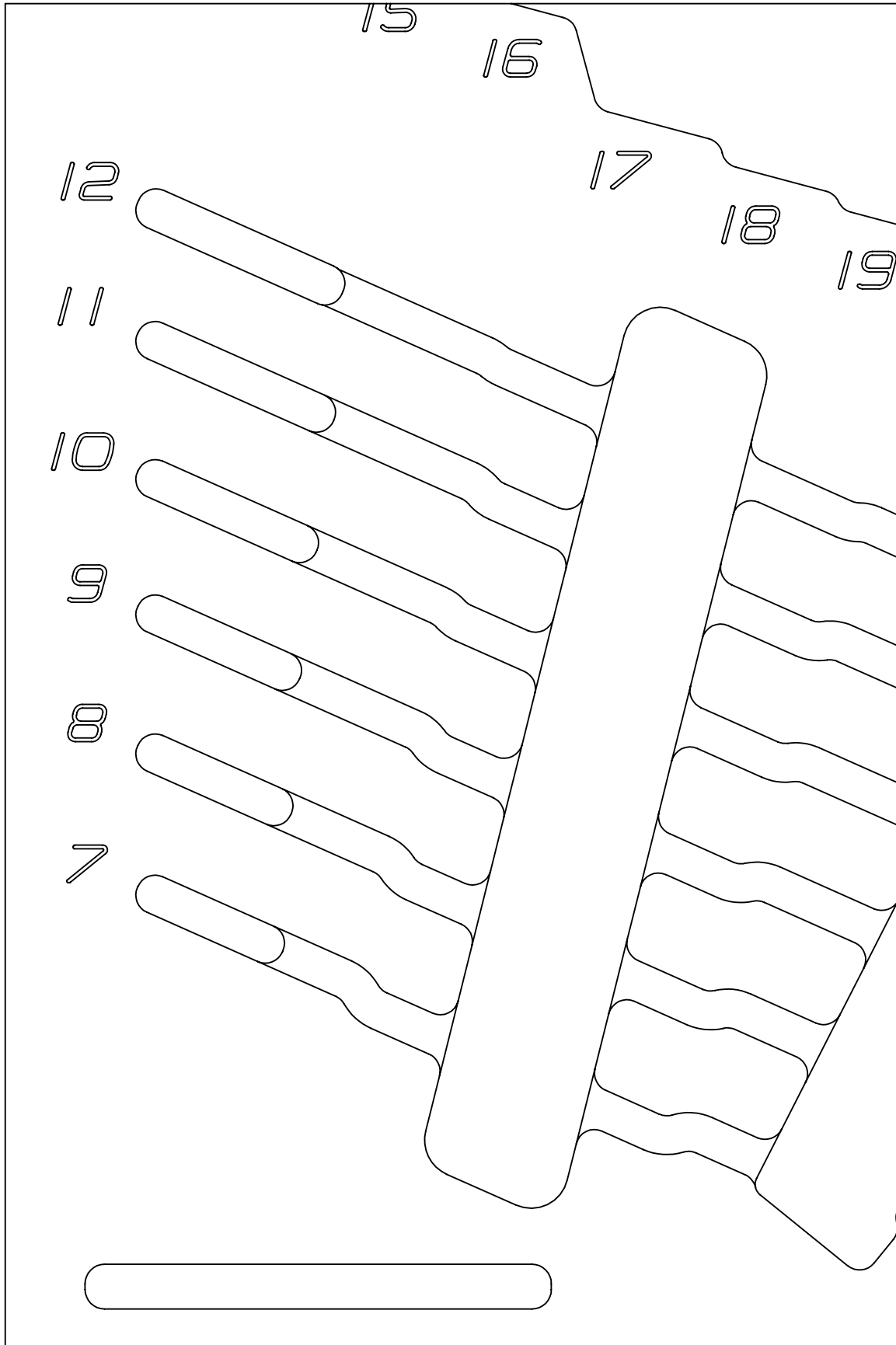
CAUTION
SUGGESTED DRAWER HEIGHT
2.5 MIN

PART NUMBER **L-05860-T**

Print on Letter at 100%

1.00
IN

1.00 IN



PAGE KEY

X									
---	--	--	--	--	--	--	--	--	--

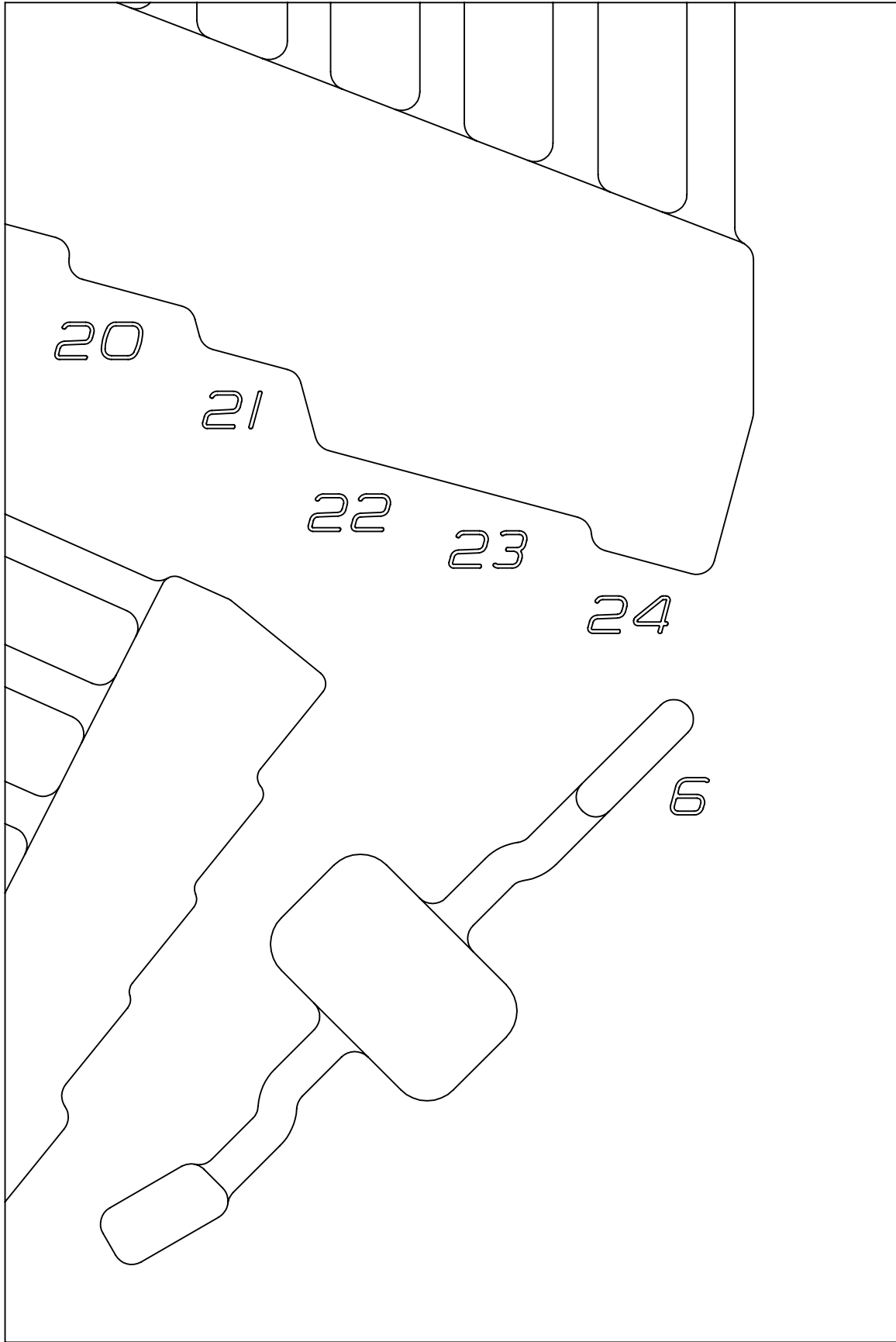
DATE CREATED

15 NOV 2024

PART NUMBER

L-05860-T

Print on Letter at 100%



PAGE KEY

X

DATE CREATED

15 NOV 2024

PART NUMBER

L-05860-T

1.00 IN

PAGE KEY



1.00
IN

Print on Letter at 100%

DATE CREATED

15 NOV 2024

PART NUMBER

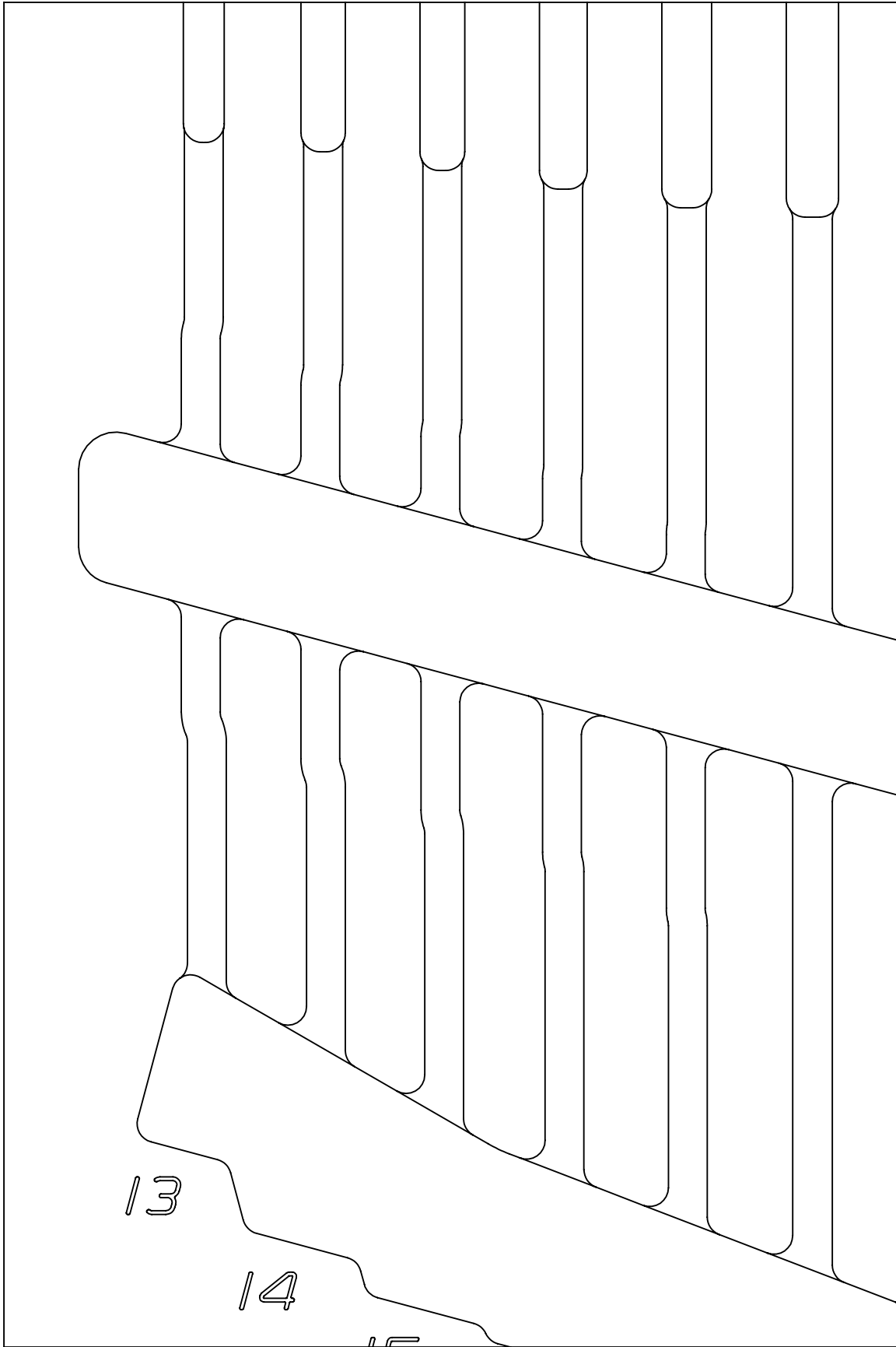
L-05860-T

← 1.00 IN →

PAGE KEY

X									
---	--	--	--	--	--	--	--	--	--

↑ 1.00 IN ↓



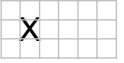
Print on Letter at 100%

DATE CREATED
15 NOV 2024

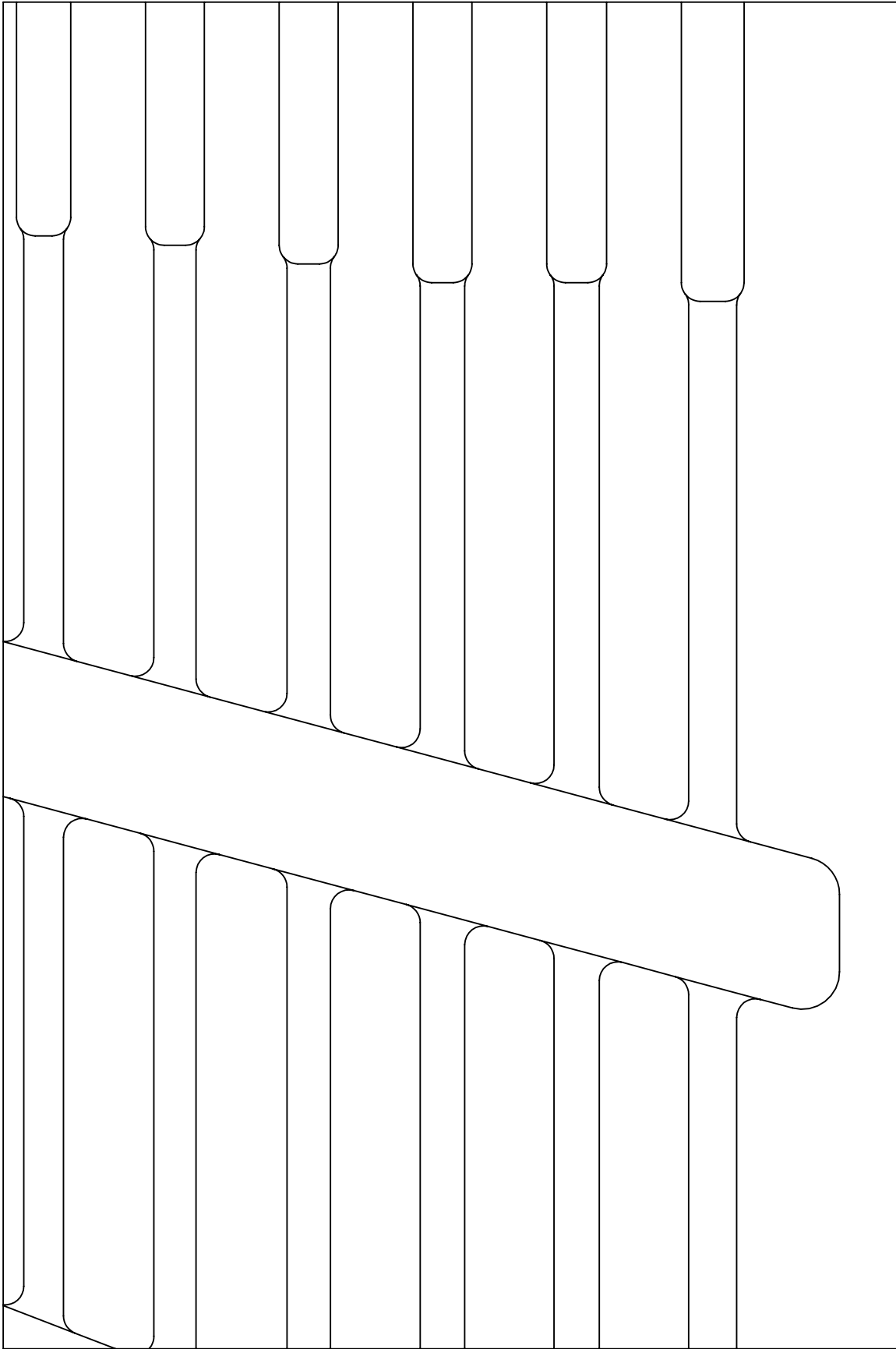
PART NUMBER
L-05860-T

← 1.00 IN →

PAGE KEY



1.00
IN



Print on Letter at 100%

DATE CREATED

15 NOV 2024

PART NUMBER

L-05860-T

1.00 IN

PAGE KEY

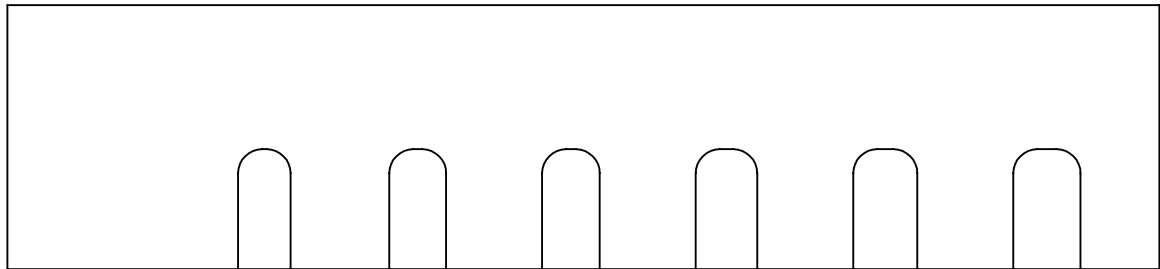
X									

1.00 IN

DATE CREATED
15 NOV 2024

PART NUMBER
L-05860-T

Print on Letter at 100%



← 1.00 IN →

PAGE KEY

X									

↑
1.00
IN
↓

DATE CREATED
15 NOV 2024

PART NUMBER
L-05860-T

Print on Letter at 100%

