

THE INFORMATION CONTAINED ON THIS DRAWING IS THE SOLE PROPERTY OF FOAMFIT TOOLS AND MAY NOT BE USED WITHOUT PERMISSION.
Copyright 2024 FoamFit Tools

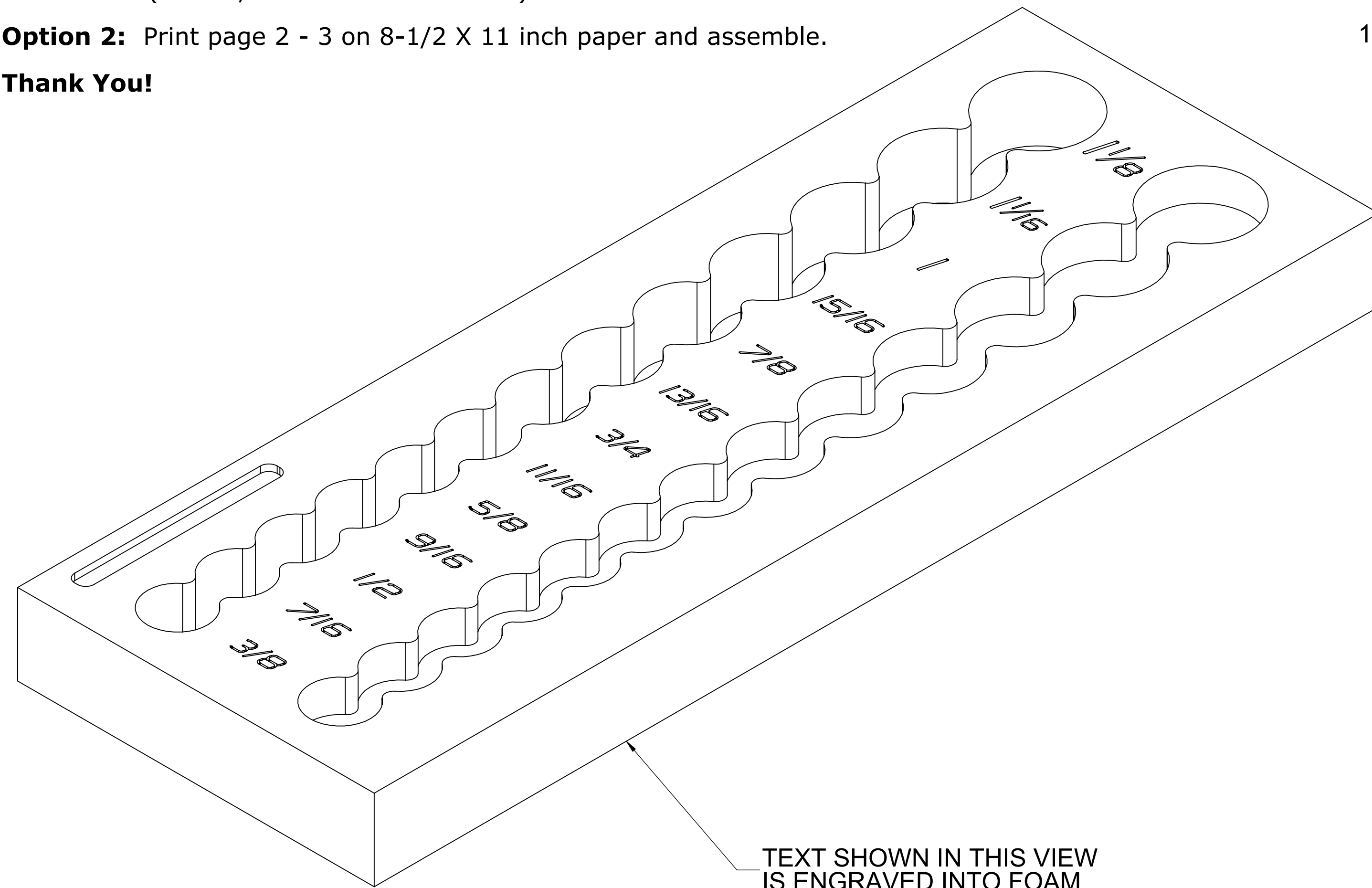
PRINTING INSTRUCTIONS

We recommend printing at full-scale to check the fit with your tools before ordering.

Option 1: Print this page full-scale on a large-format printer (D-Size, 34 inches X 22 inches).

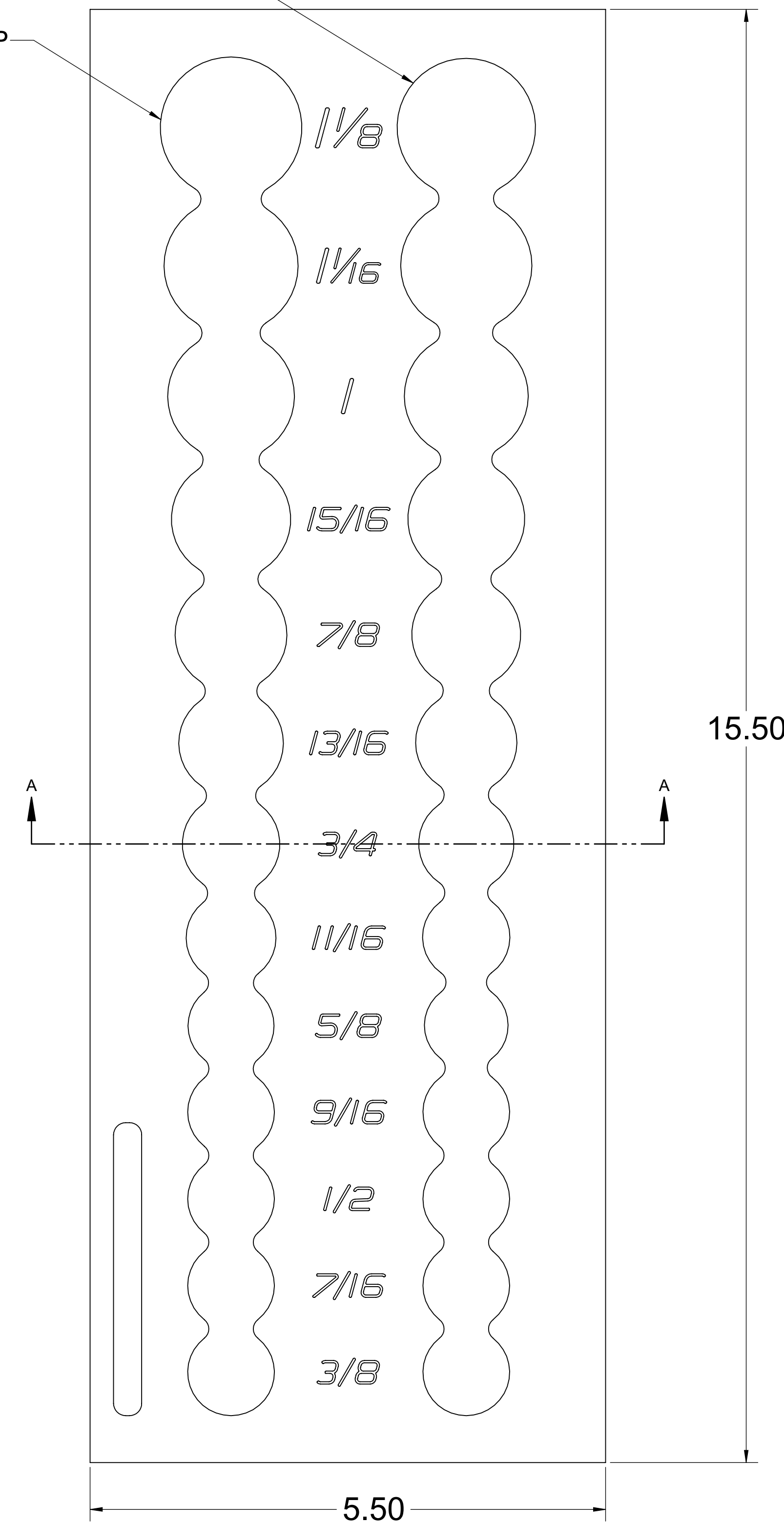
Option 2: Print page 2 - 3 on 8-1/2 X 11 inch paper and assemble.

Thank You!

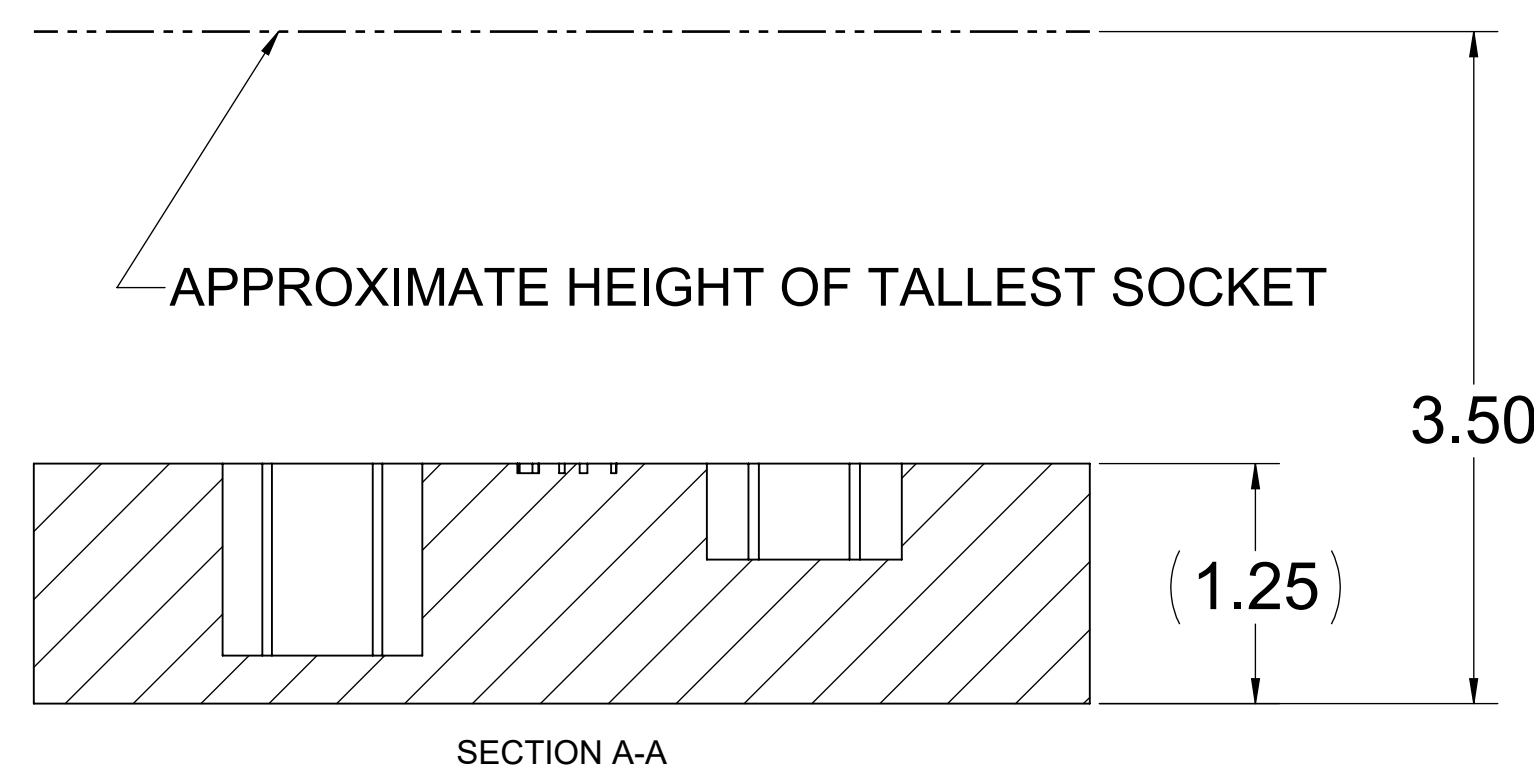


1/2-DRIVE SHALLOW

1/2-DRIVE DEEP



CAUTION
SUGGESTED DRAWER HEIGHT
3.75 MIN



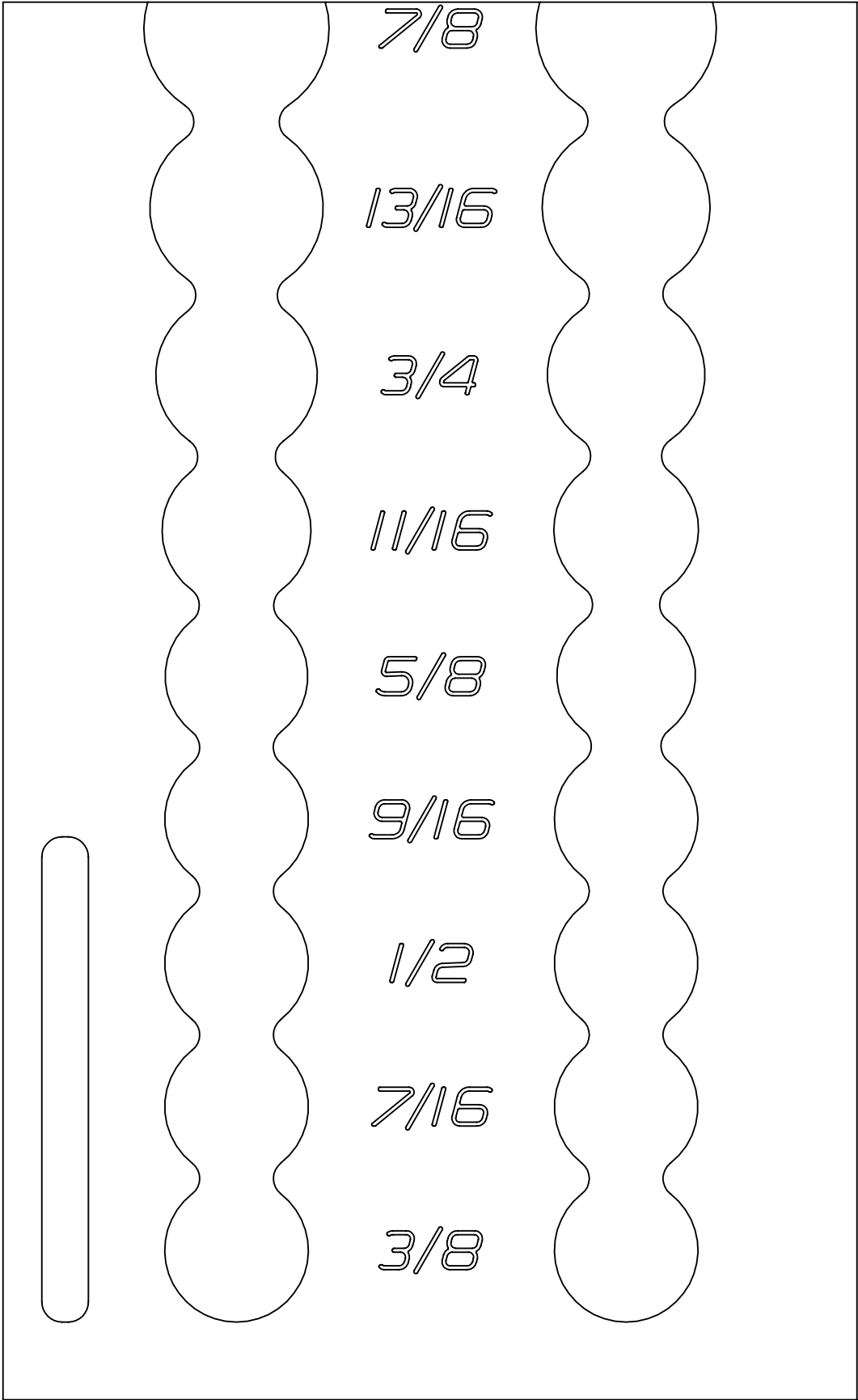
PART NUMBER
L-05871-T

← 1.00 IN →

PAGE KEY

X				

1.00
IN



Print on Letter at 100%

DATE CREATED

25 NOV 2024

PART NUMBER

L-05871-T

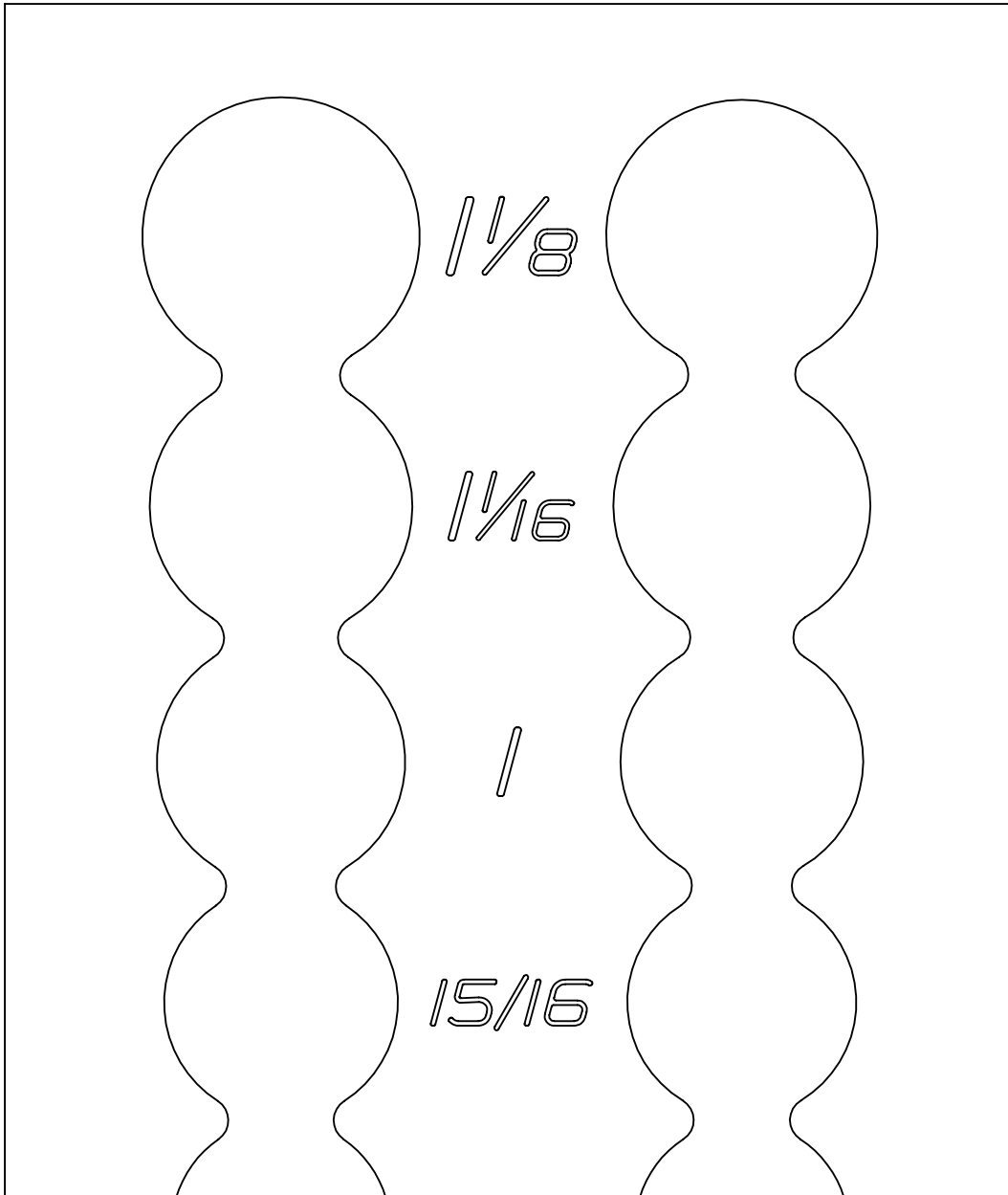
1.00 IN

PAGE KEY

X									
---	--	--	--	--	--	--	--	--	--

1.00
IN

Print on Letter at 100%



DATE CREATED
25 NOV 2024

PART NUMBER
L-05871-T